



CalderaSpas®

# WELCOME



**Watkins Manufacturing Corporation congratulates you on your decision to enjoy the finest spa available... Welcome to the growing family of Caldera® Spa owners.**

## Owner's Manual

This Owner's Manual will acquaint you with the operation and general maintenance of your new spa. We suggest that you take some time to carefully review all sections. Please keep this manual available for reference.

If you have any questions about any aspect of your spa's set-up, operation or maintenance, contact your authorized **CALDERA** dealership. They are trained professionals who are familiar with the product as well as new spa ownership concerns. Their expertise will facilitate the enjoyment of your new **CALDERA** spa.

The serial number/identification label is located within the equipment compartment of your **CALDERA** spa. The serial number should also be documented on the delivery receipt from your dealer.

**IMPORTANT:** Watkins Manufacturing Corporation reserves the right to change specifications, or design, without notification and without incurring any obligation.

DATE PURCHASED: \_\_\_\_\_

DATE INSTALLED: \_\_\_\_\_

DEALER: \_\_\_\_\_

ADDRESS: \_\_\_\_\_

TELEPHONE: \_\_\_\_\_

SPA MODEL/SERIAL NUMBER: \_\_\_\_\_

COVER SERIAL NUMBER: \_\_\_\_\_



MODEL: GENEVA  
SERIES: UTOPIA  
SERIAL: GEBE1S1001  
RATINGS: 240V, 60Hz, 40A



LISTED SELF CONTAINED SPA  
1280 Park Center Dr., Vista, CA 92081  
Watkins Manufacturing Corp.

GEBE1S1001



**NOTE:** This is an example. Your spa's label will contain different information. Peel off top sticker and place here.

In most cities and counties, permits will be required for the installation of electrical circuits or the construction of exterior surfaces (decks and gazebos). In addition, some communities have adopted residential barrier codes which may require fencing and/or self-closing gates on the property to prevent unsupervised access to a pool (or spa) by children under 5 years of age. Your **CALDERA** spa is equipped with a locking cover that meets the ASTM F1346-91 Standard for Safety Covers, and as a result, is usually exempt from most barrier requirements. As a general practice, your local Building Department will inform you of any applicable barrier requirements at the time a permit is obtained for the installation of an electrical circuit. Your **CALDERA** dealer can provide information on which permits may be required.

# TABLE OF CONTENTS

## **SAFETY INSTRUCTIONS**

- Important Safety Instructions ..... 1
- Important Spa Instructions ..... 3

## **INSTALLATION**

- Site Preparation ..... 3
- Outdoor and Patio Installation ..... 3
- Deck Installation ..... 4
- Indoor/Basement Installation ..... 4
- Ground and Spa Leveling Preparation ..... 4
- Delivery Access ..... 5
- Spa Cover Installation ..... 5

## **DIMENSIONS**

- Cantabria™ ..... 6
- Geneva™ and Niagara™ ..... 7
- Tahitian™ ..... 8
- Makena™ and Salina™ ..... 9
- Martinique™ ..... 10
- Kauai™ ..... 11

## **CONTROLS AND EQUIPMENT**

- CANTABRIA ..... 12
- GENEVA ..... 13
- NIAGARA ..... 14
- TAHITIAN (WITH ATLAS MESSAGE SYSTEM) ..... 15
- TAHITIAN (WITHOUT ATLAS MESSAGE SYSTEM) ..... 16
- MAKENA ..... 17
- SALINA ..... 18
- MARTINIQUE ..... 19
- KAUAI ..... 20

## **ELECTRICAL INSTALLATION**

- Electrical Requirements and Precautions (CANTABRIA) ..... 21
- Electrical Requirements and Precautions (Utopia™ and Paradise™) ..... 22

## **START-UP AND REFILL PROCEDURES** ..... 24

## **CUSTOMIZING YOUR MESSAGE**

- Diverter Valves ..... 25
- Acquarella™ Waterfall Valve ..... 25
- Atlas™ Neck Jet Valve ..... 25
- Air Controls ..... 25
- Hydro Jets ..... 25
- Air Jets ..... 26

## **JET MENUS**

- CANTABRIA ..... 27
- GENEVA ..... 28
- NIAGARA ..... 29
- TAHITIAN (WITH ATLAS MESSAGE SYSTEM) ..... 30
- TAHITIAN (WITH ATLAS MESSAGE SYSTEM) ..... 31
- MAKENA ..... 32
- SALINA ..... 33
- MARTINIQUE ..... 34
- KAUAI ..... 35

## **UTOPIA OPERATING INSTRUCTIONS**

- Main Control Panel ..... 36
- Temperature Control ..... 37
- Locking Features ..... 38
- Jets Control ..... 38
- Light Control ..... 39
- Additional Functions ..... 40
- Audio Control ..... 41
- Auxiliary Control ..... 42
- UltraMasseuse™ Control Panel Buttons ..... 43

## **PARADISE OPERATING INSTRUCTIONS**

- Main Control Panel Buttons and Display ..... 45
- System Mode ..... 46
- Clean Cycle ..... 46
- Tools Menu ..... 46
- Audio Controls (Optional) ..... 48

## **EQUIPMENT COMPARTMENTS**

- CANTABRIA ..... 51
- GENEVA, NIAGARA, and TAHITIAN ..... 53
- SALINA, MARTINIQUE, and KAUAI ..... 55

## **MAINTENANCE**

- Filter Maintenance ..... 57
- Diverter Valve Maintenance ..... 57
- VersaSage™ and Orbissage™ Jets Maintenance ..... 58
- Draining Your Spa ..... 58
- Prevention of Freezing ..... 59
- Winterizing Your Spa ..... 59
- Care of the Spa Pillows ..... 59
- Care of the Exterior ..... 59
- Care of the Spa Cover ..... 59

## **WATER QUALITY AND MAINTENANCE**

- Water Terminology ..... 61
- General Information ..... 61
- Methods for Testing the Spa Water ..... 62
- The Watkins Spa Water Maintenance Program ..... 62
- FROG® Water Care System ..... 62
- Bromine ..... 65
- Supplemental Water Maintenance ..... 66
- Common Water Chemistry Questions ..... 68
- Spa Water Maintenance Troubleshooting Guide ..... 69

## **SERVICE**

- Miscellaneous Service Information ..... 70
- Acts Invalidating Warranty ..... 70
- Disclaimers ..... 70
- Watkins Customer Service ..... 70

## **SPA TROUBLESHOOTING** ..... 71

## **SPA SPECIFICATIONS** ..... Back Cover

# SAFETY INSTRUCTIONS

## **IMPORTANT SAFETY INSTRUCTIONS** **READ AND FOLLOW ALL INSTRUCTIONS**

### **AVOIDING THE RISK TO CHILDREN**

#### **⚠ DANGER:**

**RISK OF CHILD DROWNING.** Extreme caution must be exercised to prevent unauthorized access by children. To avoid accidents, ensure that children cannot use a spa unless they are supervised at all times.

#### **⚠ WARNING:**

- To reduce the risk of injury, do not permit children to use this spa unless they are closely supervised at all times.
- To reduce the risk of injury, lower water temperatures are recommended for young children. Children are especially sensitive to hot water.

#### **DO:**

- Make sure you always lock the child resistant locks after using the spa for your children's safety. Every **CALDERA** spa is equipped with a locking cover that meets the ASTM F1346-91 Standard for Safety Covers.
- Test the water temperature with your hand before allowing children to enter the spa to be sure that it's comfortable. Children are especially sensitive to hot water.
- Remind children that wet surfaces can be very slippery. Make sure that children are careful when entering, or exiting the spa.

#### **DON'T:**

- Allow children to climb onto the spa cover.
- Allow children to have unsupervised access to the spa.

### **AVOIDING THE RISK OF ELECTROCUTION**

#### **⚠ DANGER - RISK OF ELECTROCUTION**

- Connect only to a grounded source.
- Do not bury the power cord. A buried power cord may result in death, or serious personal injury due to electrocution if direct burial-type cable is not used, or if improper digging occurs.
- A ground terminal (pressure wire connector) is provided on the control box inside the unit to permit connection of a minimum 6 mm<sup>2</sup> (No. 10 AWG) solid copper bonding conductor between this point and any metal equipment, metal water pipe, metal enclosures of electrical equipment, or conduit within 1.5 m (5 feet) of the unit as needed to comply with local requirements.
- Do not operate the main audio/video button controls on any external media devices such as a CD or DVD player while inside in the spa. Operation of integrated audio/video equipment through the spa control panel or wireless remote is permitted and acceptable.
- Do not connect any auxiliary components (for example, cable additional speakers, headphones, additional audio components) to the audio system unless approved by Watkins Manufacturing Corporation .
- Do not self service audio component by opening spa door as this may expose dangerous voltage or other risk of injury. Refer all servicing to qualified service personnel.
- Do not attach an external antennae to a spa audio system unless installed by a licensed electrician in accordance with National Electric Code.

#### **⚠ WARNING:**

- To reduce the risk of electrical shock, replace a damaged cord immediately. Failure to do so may result in death or serious personal injury due to electrocution.
- Always test the Ground Fault Circuit Interrupter (GFCI) before each use of the spa. If the GFCI does not perform properly, a ground current is flowing indication the possibility of electric shock. Disconnect power to the spa until the fault has been identified and corrected.
- **NOTE:** Failure to wait 30 seconds before resetting the GFCI may cause the spa's Power Indicator (on the control panel) to blink. If this occurs, repeat the GFCI test procedure.
- Install the spa so proper drainage is provided for the compartment containing the electrical components.

#### **⚠ DANGER: RISK OF ELECTRICAL SHOCK**

- Install spa at least 1.5 m from all metal surfaces. A spa may be installed within 1.5 m of a metal surface if each metal surface is permanently connected by a minimum 8.4 mm<sup>2</sup> (8 AWG) solid copper conductor attached to the wire ground connector on the terminal box that is provided for this purpose.
- Do not permit any electrical appliances, such as a light, telephone, radio, or television within 1.5 m of a spa. Failure to maintain a safe distance may result in death, or serious personal injury due to electrocution, if the appliance should fall into the spa.
- Install your spa in such a way that drainage is away from the electrical compartment and from all electrical components.

# SAFETY INSTRUCTIONS

## DO:

- Be sure your spa is connected to the power supply correctly - use a licensed electrical contractor.
- Disconnect the spa from the power supply before draining the spa or servicing the electrical components.
- Test the Ground Fault Circuit Interrupter(s) before each use.
- Replace audio components only with identical components (if your spa is equipped with an audio component).

## DON'T:

- Use the spa with the equipment compartment door removed.
- Place electrical appliances within 1.5m of the spa.
- Use an extension cord to connect the spa to its power source. The cord may not be properly grounded and the connection is a shock hazard. An extension cord may cause a voltage drop, which will cause overheating of the jet pump motor and motor damage.
- Attempt to open the electrical control box. There are no user serviceable parts inside.

## RISKS TO AVOID

### DANGER: RISK OF INJURY

- To reduce the risk of injury to persons, DO NOT remove floating weir, basket and filter located in the filter compartment while the spa is running.
- Never replace a suction fitting with one rated less than the flow rate marked on the original suction fitting.
- There is a danger of slipping and falling. Remember that wet surfaces can be very slippery. Take care when entering or exiting the spa.
- Never operate spa if the suction fittings are broken or missing.
- People with infectious diseases should not use the spa.
- Keep any loose articles of clothing or hanging jewelry away from rotating jets or other moving components.

## INCREASED SIDE EFFECTS OF MEDICATION

- The use of drugs, alcohol or medication before or during spa use may lead to unconsciousness with the possibility of drowning.
- Persons using medications should consult a physician before using a spa; some medication may cause a user to become drowsy, while other medication may affect heart rate, blood pressure, and circulation.
- Persons taking medications which induce drowsiness, such as tranquilizers, antihistamines, or anticoagulants should not use the spa.

## HEALTH PROBLEMS AFFECTED BY SPA USE

- Pregnant women should consult a physician before using spa.
- Persons suffering from obesity, or with a medical history of heart disease, low or high blood pressure, circulatory system problems, or diabetes should consult a physician before using spa.

## UNCLEAN WATER

- Keep the water clean and sanitized with correct chemical care. The recommended levels for your **CALDERA** spa are:

|                   |               |                   |              |
|-------------------|---------------|-------------------|--------------|
| Bromine:          | 1.0 - 2.0 ppm | Water pH:         | 7.2 - 7.6    |
| Total Alkalinity: | 40 - 120 ppm  | Calcium Hardness: | 50 - 150 ppm |

(Refer to Water Quality and Maintenance section for complete instructions.)

**IMPORTANT:** Turn on the clean cycle when adding ANY spa water chemicals into or in front of the filter compartment.

- Clean the filter cartridge at least monthly to remove debris and mineral buildup which may affect the performance of the hydromassage jets, limit the flow, or trip the high limit thermostat, which will turn off the entire spa.

## AVOIDING THE RISK OF HYPERTHERMIA

Prolonged immersion in hot water can result in HYPERTHERMIA, a dangerous condition which occurs when the internal temperature of the body reaches a level above normal (37°C). The symptoms of hyperthermia include unawareness of impending hazard, failure to perceive heat, failure to recognize the need to exit the spa, physical inability to exit the spa, fetal damage in pregnant women, and unconsciousness resulting in a danger of drowning.

### WARNING:

The use of alcohol, drugs, or medication can greatly increase the risk of fatal hyperthermia in hot tubs and spas.

## TO REDUCE THE RISK OF INJURY:

- The water in the spa should never exceed 40°C. Water temperatures between 38°C and 40°C are considered safe for a healthy adult. Lower water temperatures are recommended for extended use (exceeding ten minutes) and for young children. Extended use can cause hyperthermia.

# SAFETY INSTRUCTIONS

- Pregnant or possibly pregnant women should limit spa water temperatures to 38°C. Failure to do so may result in permanent injury to your baby.
- Do not use spa immediately following strenuous exercise.

## **AVOIDING THE RISK OF SKIN BURNS:**

- To reduce the risk of injury, before entering a spa, the user should measure the water temperature since the tolerance of temperature-regulating devices varies.
- Test the water with your hand before entering the spa to be sure it's comfortable.

## **SAFETY SIGN**

Each **CALDERA** spa is shipped with a SAFETY SIGN in the owner's package. The sign, which is required as a condition of Product Listing, should be permanently installed where it is visible to the users of the spa. To obtain additional SAFETY SIGNS, contact your **CALDERA** dealer and request Part #33869.

## **IMPORTANT SPA INSTRUCTIONS**

The following contains important spa information, and we strongly encourage you to read and apply them.

### **DO:**

- Use and lock the cover when the spa is not in use, whether it is empty or full.
- Follow the Spa Care and Maintenance recommendations stated in this manual.
- Use only approved accessories and recommended spa chemicals and cleaners.

### **DON'T:**

- Leave the **CALDERA** spa exposed to the sun without water or the cover in place. Exposure to direct sunlight can cause solar distress of the shell material.
- Roll or slide the spa on its side. This will damage the siding.
- Lift or drag the vinyl cover by using the cover lock straps; always lift or carry the cover by using the handles.
- Attempt to open the electrical control box. There are no user serviceable parts inside. Opening of the control box by the spa owner will void the warranty. If you have an operational problem, carefully go through the steps outlined in the Troubleshooting section. If you are not able to resolve the problem, contact your authorized **CALDERA** dealer. Many problems can easily be diagnosed over the telephone by an Authorized Service Technician.

# INSTALLATION

## **SAVE THESE INSTRUCTIONS**

### **SITE SELECTION AND PREPARATION**

- You probably have a spot picked out for your new spa, whether it's indoors or outdoors, on a patio or on a deck. Just make sure you check the following:
- Always put your spa on a structurally sound, level surface. A filled spa is very heavy. Make certain that the location you choose can support the weight of your filled spa.
- Don't forget to level your spa before filling it. (See the Spa Leveling Preparation section of this manual.)
- Locate your equipment compartment, which houses all of the electrical components, in a place where water will drain away from it. Allowing water into the equipment compartment can damage the electronics, or may result in tripping your house's circuit breaker.
- Never let water get into the subpanel. Your 230 volt spa's subpanel is rain tight when installed correctly with the door closed.
- Leave access to the entire front of the spa (the removable panel provides access to the spa's equipment) for periodic spa care and maintenance.
- Note that on the Utopia™ Series spas, the SpaGlo™ exterior lighting fixtures are located on only three sides. The side opposite the main control panel has no lighting.

**⚠ WARNING: Damage to the spa's equipment compartment components or internal plumbing as a result of rodent infestation is NOT covered under your warranty!**

### **OUTDOOR AND PATIO INSTALLATION**

No matter where you install your new spa, it's important that you have a solid foundation to support it. Structural damage to the spa, resulting from incorrect installation, or placement on an inadequate foundation, is not covered under the spa's limited warranty.

If you install the spa outdoors, we recommend a reinforced concrete pad at least ten centimeters thick. The reinforcing rod or mesh in the pad should be attached to a bond wire.



# INSTALLATION

## DECK INSTALLATION

To be certain your deck can support your spa, you must know the deck's maximum load capacity. Consult a qualified building contractor or structural engineer. To find the weight of your spa, its contents and occupants, refer to the Spa Specification chart on back page. This weight per square foot must not exceed the structure's rated capacity, or serious structural damage could result.

## INDOOR/BASEMENT INSTALLATION

Be aware of some special requirements if you place your spa indoors. Water will accumulate around the spa, so flooring materials must provide a good grip when wet. Proper drainage is essential to prevent a build-up of water around the spa. When building a new room for the spa it is recommended that a floor drain be installed. The humidity will naturally increase with the spa indoors. Water may get into woodwork and produce dry rot, mildew, or other problems. Check for airborne moisture's effects on exposed wood, paper, etc. in the room. To minimize these effects, it is best to provide plenty of ventilation to the spa area. An architect can help to determine if more ventilation must be installed.

**CALDERA** spas are equipped with a jet pump shroud to remove excessive heat from the equipment compartment. Find this vent and be sure the vent is not blocked by anything, including carpeting.

Your **CALDERA** dealer can help you with local information such as zoning regulations and building codes.

**⚠ WARNING: Please keep the area around your spa well ventilated when it is installed indoors or in a confined area.** Inadequate ventilation around the spa could cause a build-up of a higher-than-normal concentration of spa chemicals and/or bacterial fragments. These dispersed spa chemicals and/or bacterial fragments can be inhaled, and may result in breathing difficulties or lung damage in certain people suffering from a compromised immune system or respiratory infection. If you or other bathers are affected by this condition, please seek medical attention as soon as possible.

In addition to the above, properly clean and maintain your spa as follows:

- Follow all procedures in this owner's manual and printed instructions on all water care (chemical) products packaging.
- Test the water regularly to ensure proper levels of sanitizers, pH, and other water care requirements.
- Drain, clean, and refill your spa with fresh water on a regular schedule, and in accordance with this owner's manual.
- Clean the filter(s) at least once per month.
- Check to make sure you have proper circulation throughout your spa water system.
- Have spa users bathe before entering the spa water.

## GROUND AND SPA LEVELING PREPARATION

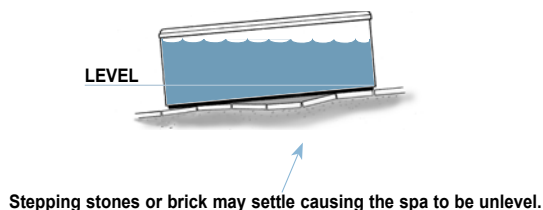
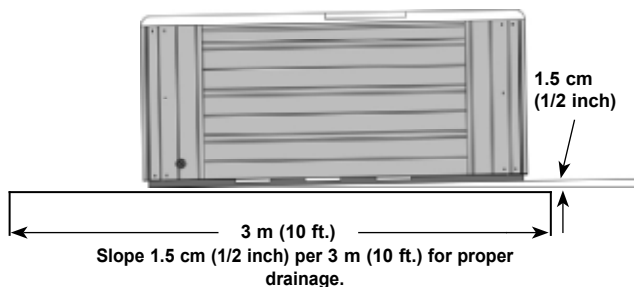
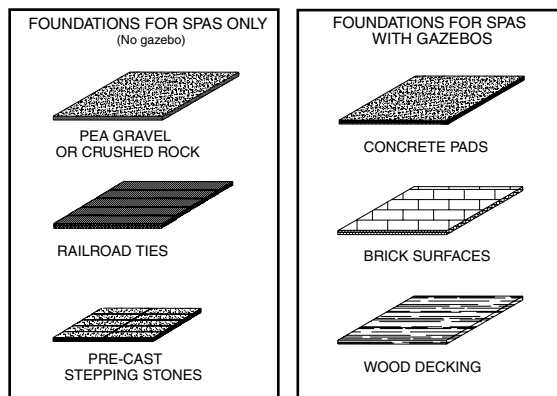
Your **CALDERA** spa has been engineered to perform on several types of common yard surfaces. While a concrete slab is best for long-term use, other foundations are acceptable as long as a level base is prepared prior to delivery. Two foundation base pictures, shown at right, represent examples of alternatives to a concrete slab for spas installed without gazebos or other accessories.

**NOTE:** A reinforced concrete pad at least four inches thick or structurally sound deck able to support the "dead weight" found in the spa specification chart is required for the **CANTABRIA**, **GENEVA**, **NIAGARA**, and **SALINA** spas, and recommended for the **TAHITIAN**, **MARTINIQUE**, and **KAUAI** spas. The reinforcing rod or mesh in the pad should be attached to a bond wire.

### INSTALLATION NOTES:

- Concrete sloped at 1.5 centimeters per 3 meters is preferred so that rain water and water spillover will run off and not puddle underneath the spa (water under the spa for long periods of time may cause the wood to deteriorate).
- If stepping stones or railroad ties are selected for the spa foundation, they should be placed and leveled below the entire spa to maintain even distribution of the spa weight.
- It is important to note that soft surfaces, even when stepping stones are used to distribute the weight of the spa as evenly as possible, will still have a tendency to settle unevenly, resulting in an unlevel spa.

**NOTE:** Placing the spa on grass or dirt may increase the amount of debris which is inadvertently brought into the spa water and may cause harm to your equipment as well as the spa surface, which is not covered under warranty.



# INSTALLATION

## DELIVERY ACCESS

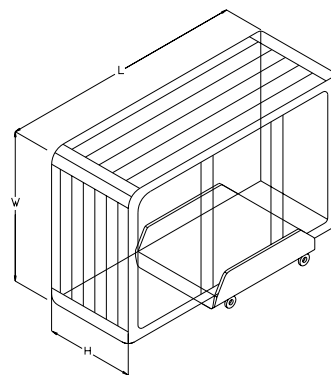
**NOTE:** It may be necessary to allow for additional over-head clearance if the spa will be rolled up or down an incline or moved up or down a short flight of stairs.

Use the information in the chart on the next page to determine the requirements for access to your desired location. It may be necessary to remove a gate, part of a fence, or other movable obstructions in order to roll the spa to its installation site. About ten percent of the time, a crane is the only way to install the spa by lifting it to its final destination.

If the spa has to be taken off of the cart to go over a wall (either because the entry area is too narrow, the eaves are too low, the corner is too tight, or the stairway is too steep), a crane will be required. Don't be alarmed!

The crane has a truck-mounted boom which can fit right in your driveway. It is run by a licensed and insured operator. For a charge, the crane operator will lift your spa over walls, buildings, or any other obstruction and place it as close to the installation site as possible. The **CALDERA** spa delivery personnel will supervise the crane delivery and complete the spa installation. Crane delivery typically takes an average of 30 minutes to complete.

**NOTE:** If your spa delivery requires the use of a crane, you may be required to pay for its services at the completion of the delivery.



## SPA DIMENSIONS

| Model      | Height | Length | Width  |
|------------|--------|--------|--------|
| CANTABRIA  | 97 cm  | 274 cm | 231 cm |
| GENEVA     | 97 cm  | 226 cm | 226 cm |
| NIAGARA    | 97 cm  | 226 cm | 226 cm |
| TAHITIAN   | 91 cm  | 213 cm | 213 cm |
| MAKENA     | 91 cm  | 226 cm | 226 cm |
| SALINA     | 91 cm  | 226 cm | 226 cm |
| MARTINIQUE | 86 cm  | 226 cm | 193 cm |
| KAUAI      | 74 cm  | 213 cm | 165 cm |

How is your width and height clearance?

Check all gates

Protruding electric meters

Gas meters

A/C units

Do you have sufficient overhead clearance?

Check low roof eaves,

overhanging branches,

rain gutters

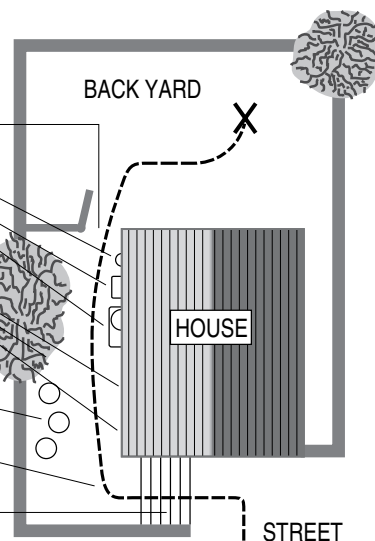
Is the path clear?

Move away branches, dog

houses, firewood, etc.

If there is a 90° turn, can we clear it? (The spa will not bend.)

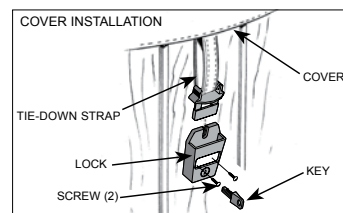
No more than 6 consecutive stairs without a landing to accommodate the spa



## SPA COVER INSTALLATION

- Place the cover squarely on the spa.
- Position the tie-down locks included with your cover on the side of the spa so that they are easily reached by the cover tie-down straps. Allow for about 1.5 cm to 2 cm of slack in the straps to make it easy to insert straps into locks and to compensate for vinyl shrinkage in cold weather.
- Attach the locks with the screws provided and insert the cover tie-down straps into the locks.

**NOTE:** Keeping the cover in place any time the spa is not in use will reduce the amount of time the heater operates, thereby minimizing operating costs.



**DANGER. RISK OF INJURY.**

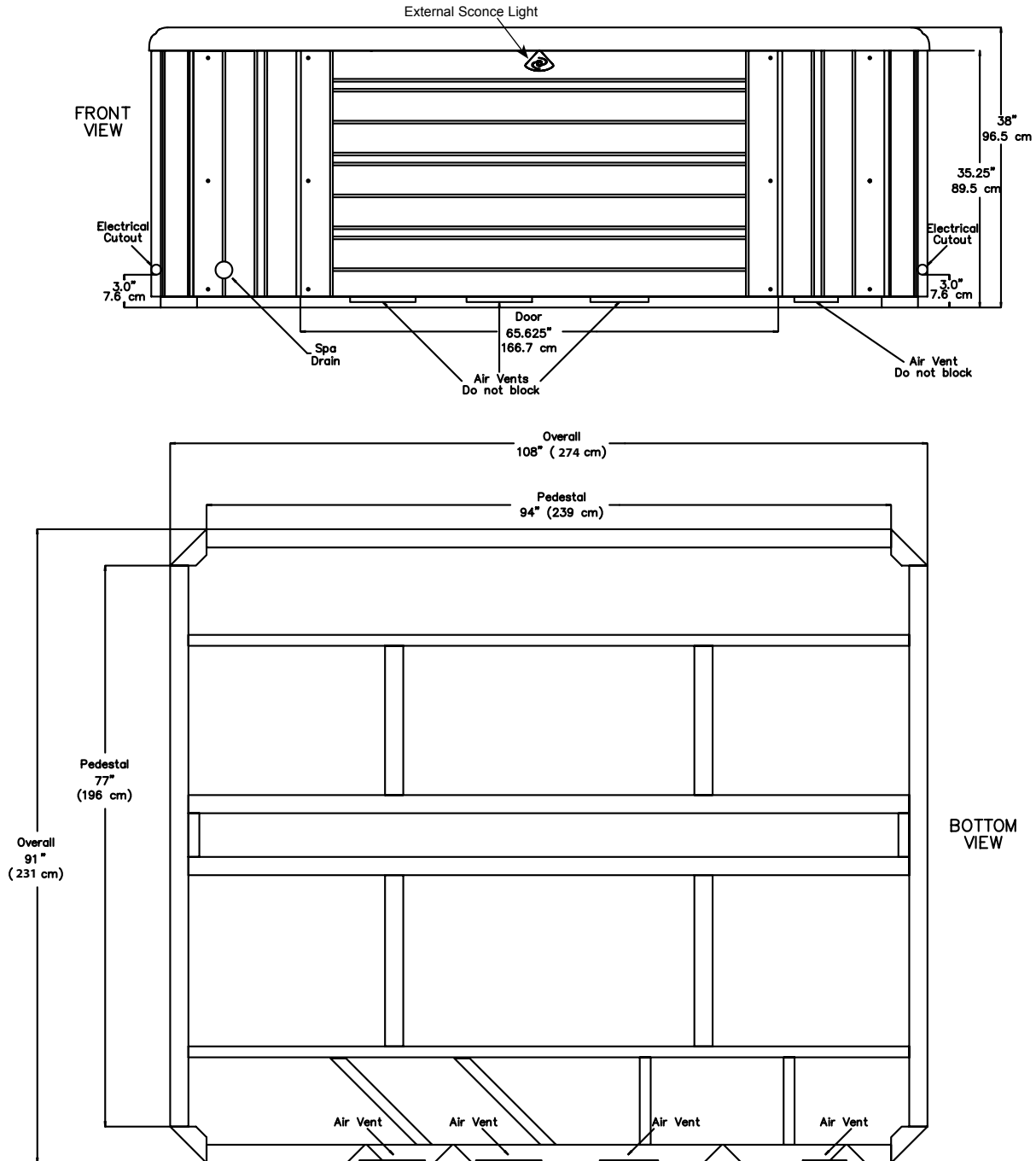
- Never leave a spa uncovered or unattended.
- Never leave a spa cover unlocked.
- Do not stand, sit, or lie on the cover.



# DIMENSIONS

## CANTABRIA

**NOTE:** All dimensions are approximate; measure your spa before making critical design or pathway decisions.



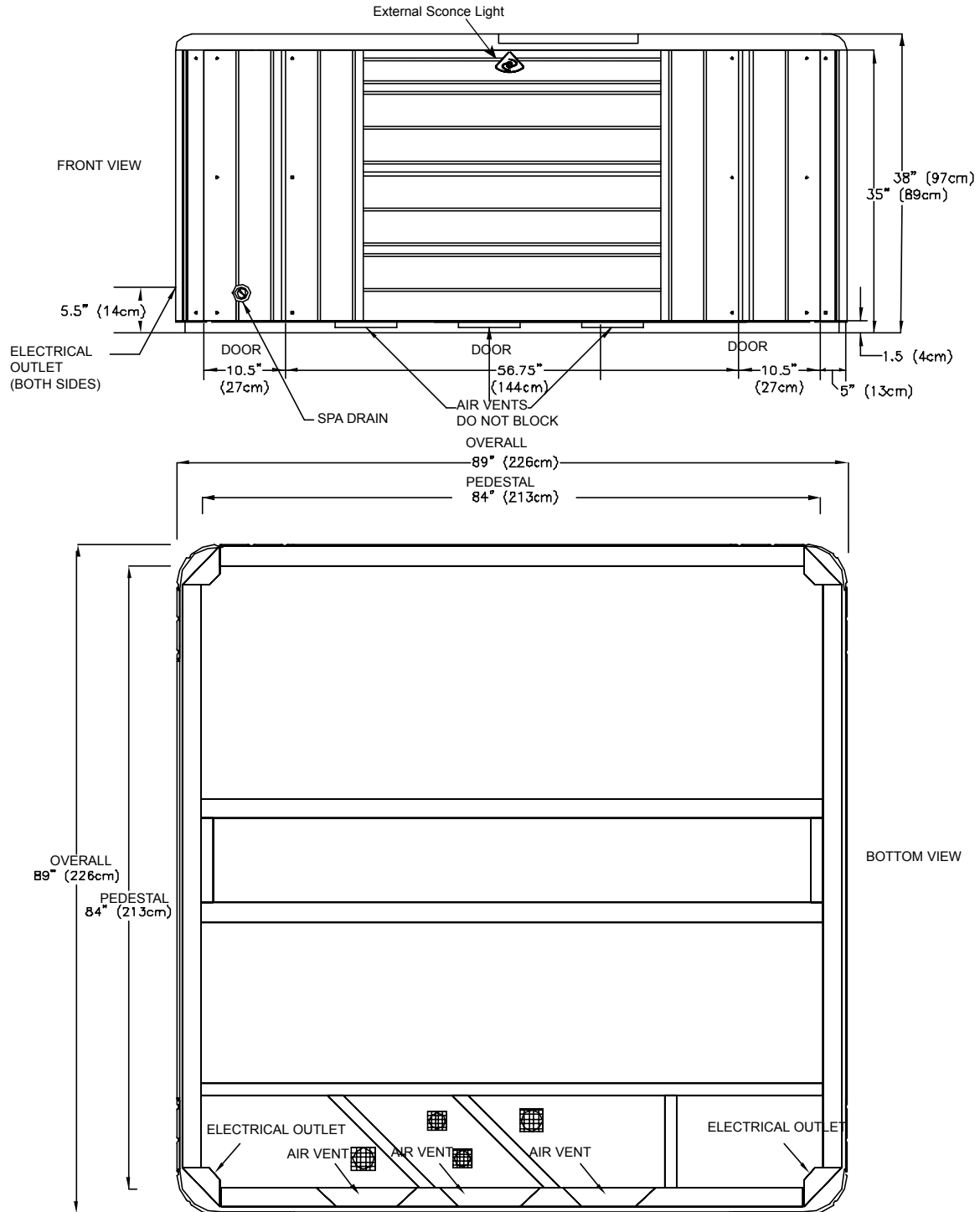
**NOTE:** Watkins Manufacturing Corporation requires that the **CANTABRIA** be installed on a minimum 10 cm thick reinforced concrete pad or structurally sound deck able to support the "dead weight" found in the spa specification chart.

**WARNING:** The **CANTABRIA** must not be shimmed in any manner.

# DIMENSIONS

## GENEVA AND NIAGARA

**NOTE:** All dimensions are approximate; measure your spa before making critical design or pathway decisions.



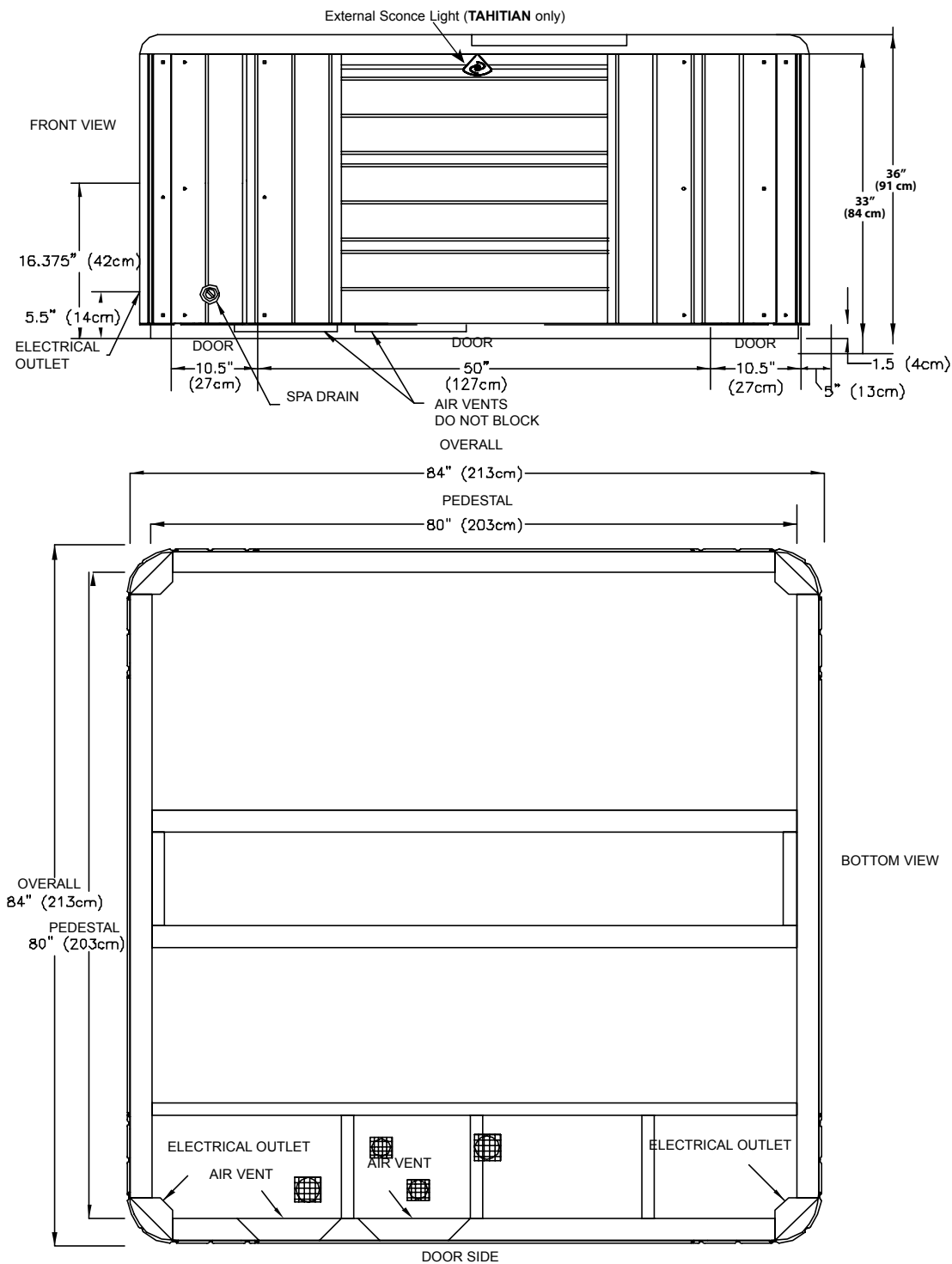
**NOTE:** Watkins Manufacturing Corporation requires that the **GENEVA** and **NIAGARA** be installed on a minimum 10 cm thick reinforced concrete pad or structurally sound deck able to support the "dead weight" found in the spa specification chart.

**WARNING:** The **GENEVA** and **NIAGARA** must not be shimmed in any manner.

# DIMENSIONS

## TAHITIAN

**NOTE:** All dimensions are approximate; measure your spa before making critical design or pathway decisions.



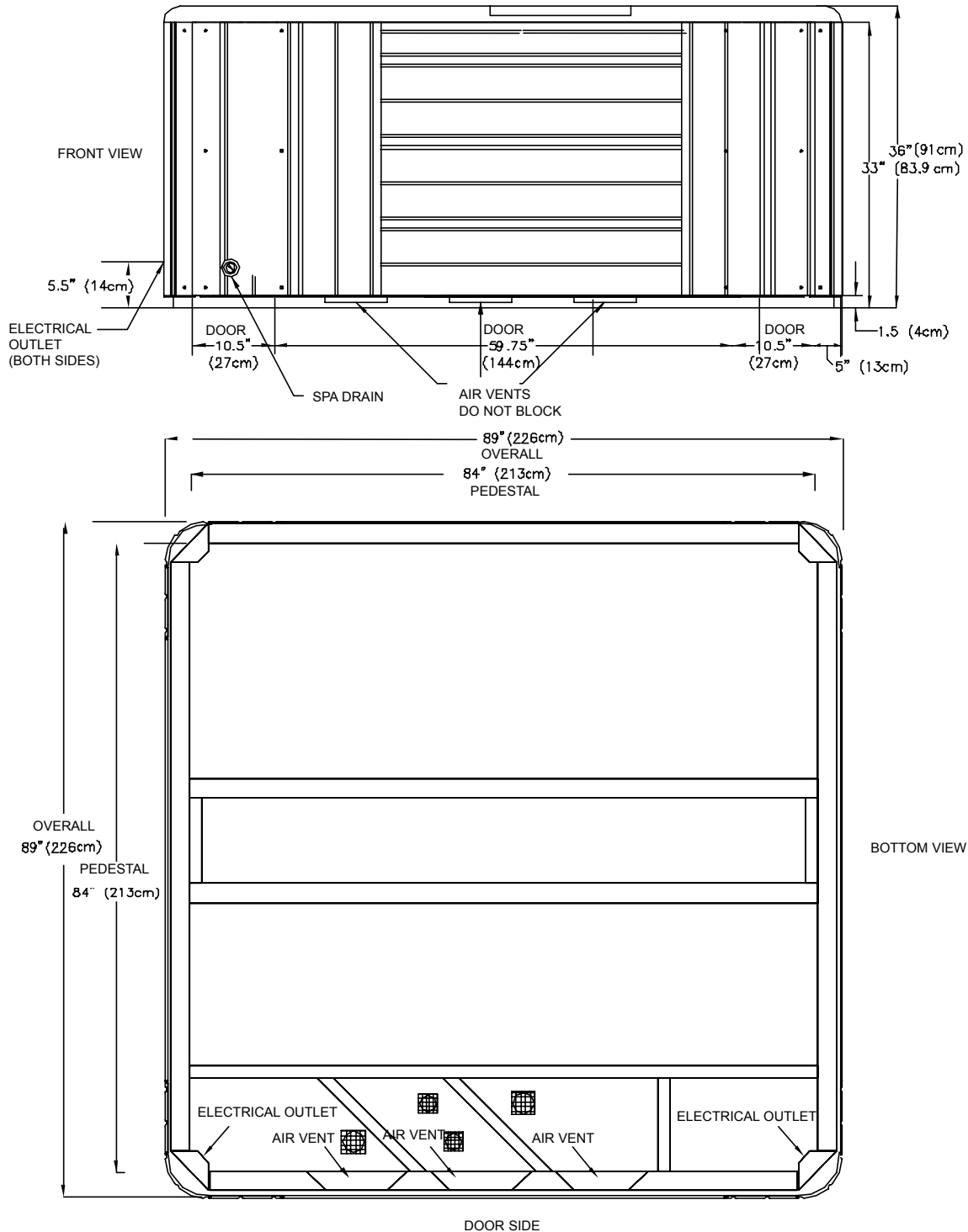
**NOTE:** Watkins Manufacturing Corporation recommends that the **TAHITIAN** be installed on a minimum 10 cm thick reinforced concrete pad or structurally sound deck able to support the "dead weight" found in the spa specification chart.

**WARNING:** The **TAHITIAN** must not be shimmed in any manner.

# DIMENSIONS

## MAKENA / SALINA

**NOTE:** All dimensions are approximate; measure your spa before making critical design or pathway decisions.



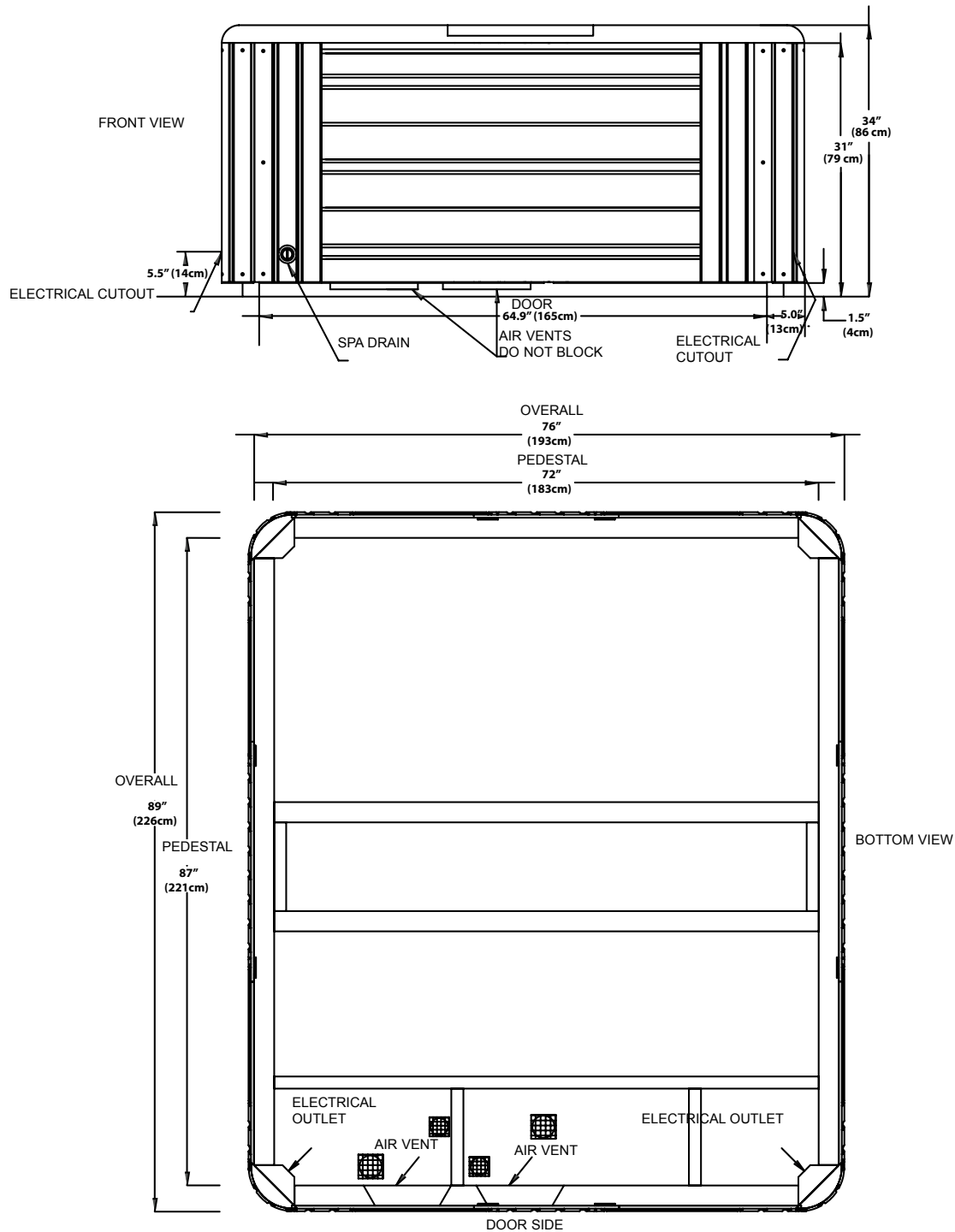
**NOTE:** Watkins Manufacturing Corporation requires that the **MAKENA / SALINA** be installed on a minimum 10 cm thick reinforced concrete pad or structurally sound deck able to support the "dead weight" found in the spa specification chart.

**WARNING:** The **MAKENA / SALINA** must not be shimmed in any manner.

# DIMENSIONS

## MARTINIQUE

**NOTE:** All dimensions are approximate; measure your spa before making critical design or pathway decisions.



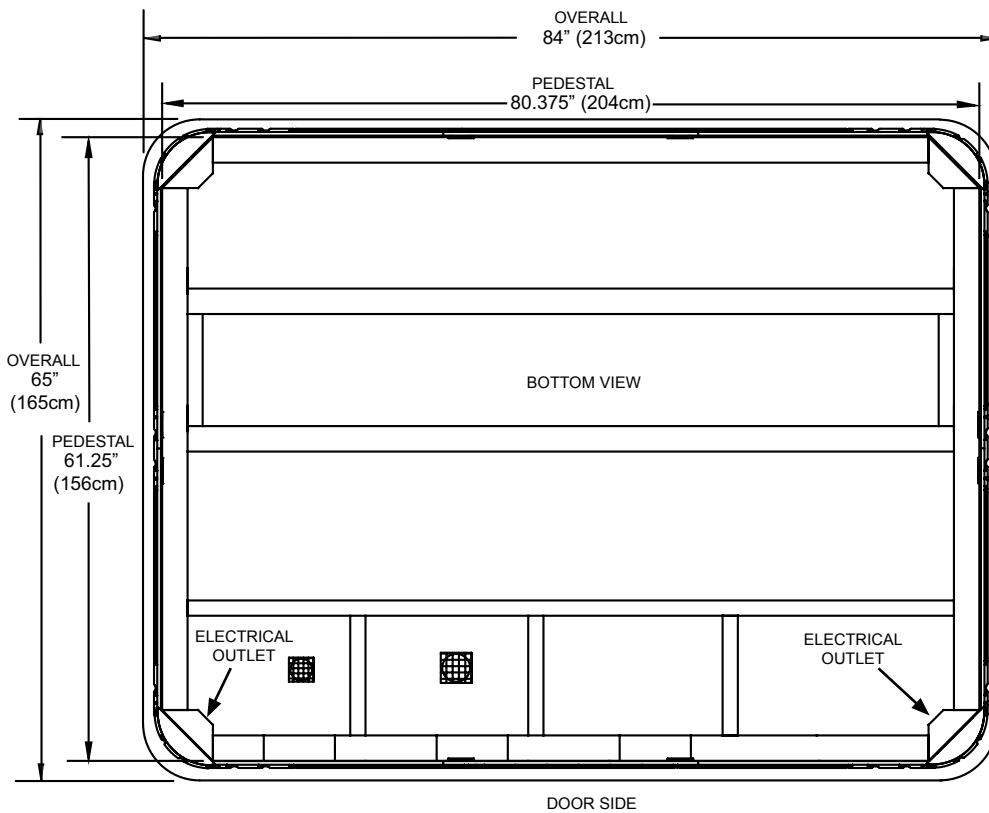
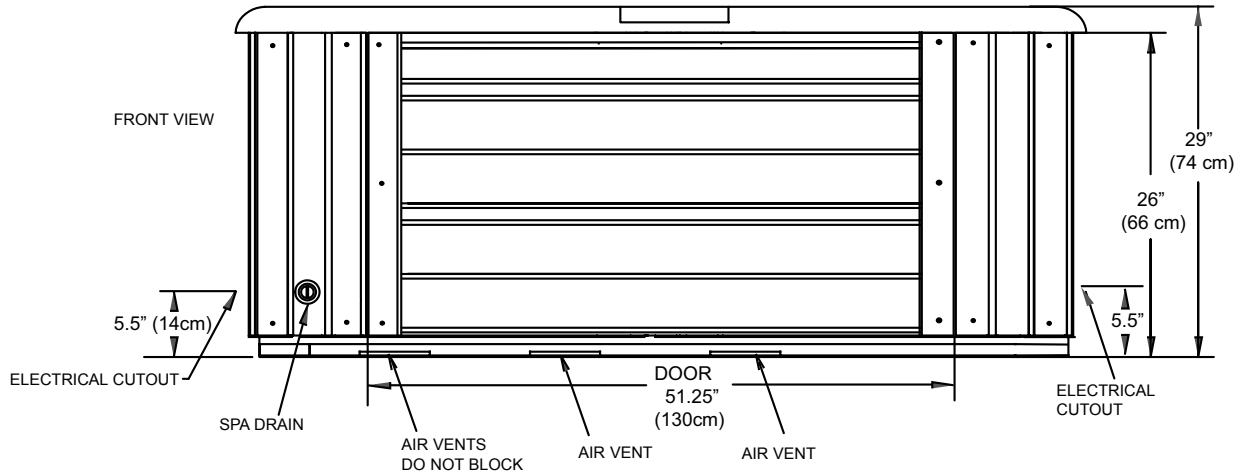
**NOTE:** Watkins Manufacturing Corporation recommends that the **MARTINIQUE** be installed on a minimum 10 cm thick reinforced concrete pad or structurally sound deck able to support the "dead weight" found in the spa specification chart.

**WARNING:** The **MARTINIQUE** must not be shimmed in any manner.

# DIMENSIONS

## KAUAI

**NOTE:** All dimensions are approximate; measure your spa before making critical design or pathway decisions.

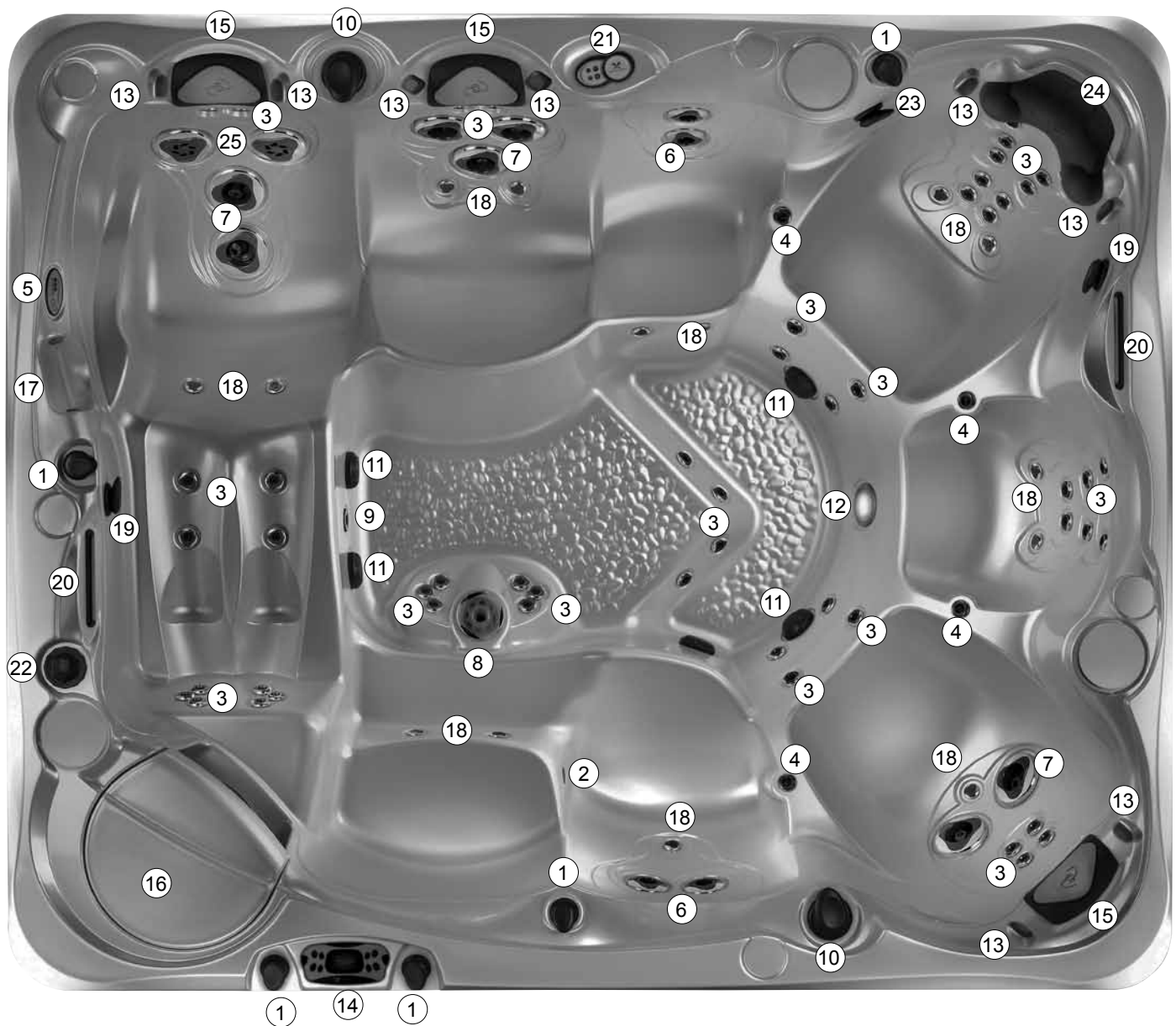


**NOTE:** Watkins Manufacturing Corporation recommends that the **KAUAI** be installed on a minimum 10 cm thick reinforced concrete pad or structurally sound deck able to support the "dead weight" found in the spa specification chart.

**WARNING:** The **KAUAI** must not be shimmed in any manner.

# CONTROLS AND EQUIPMENT

## UTOPIA CANTABRIA

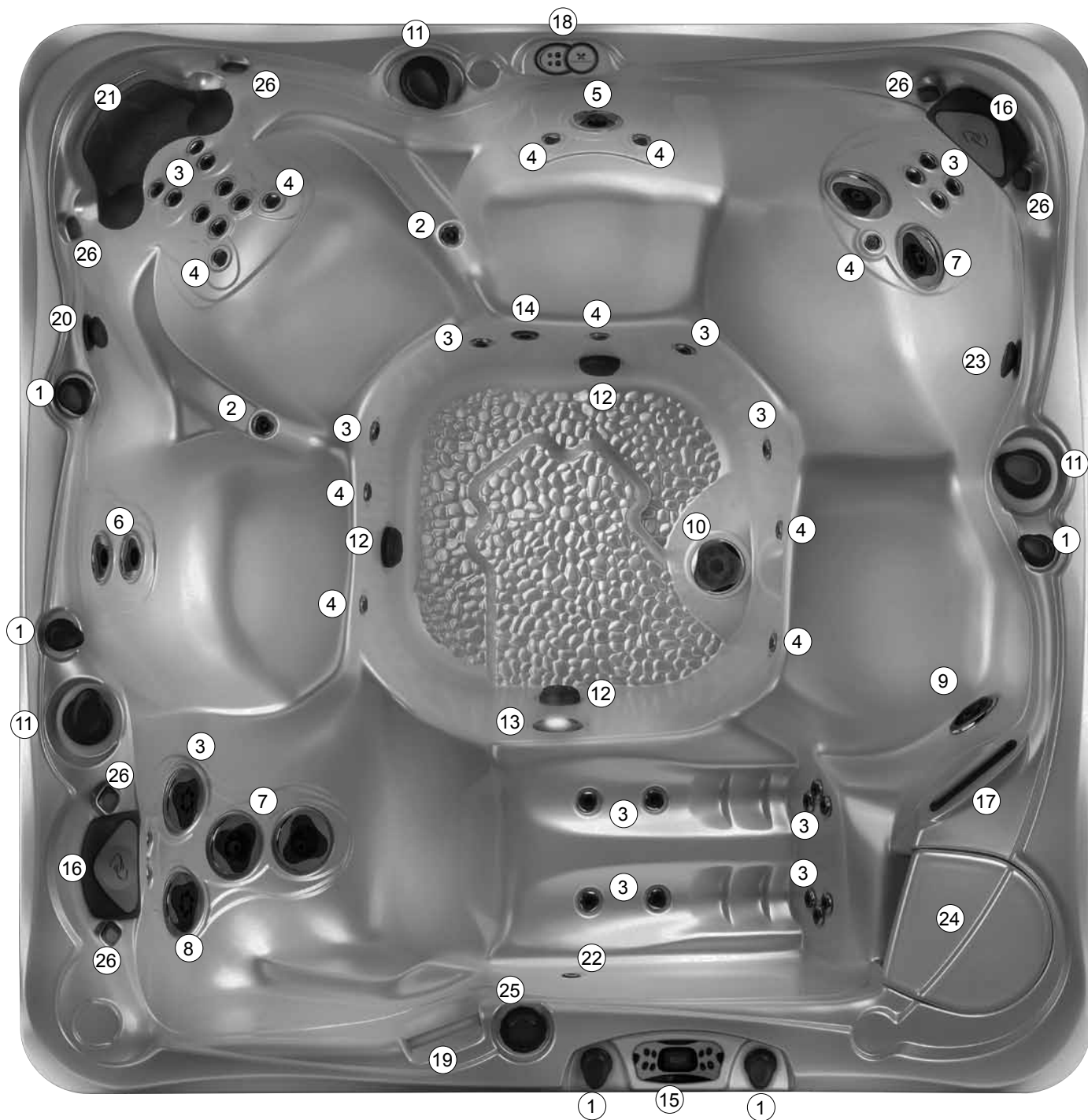


### OVERHEAD VIEW

- |                                       |                              |                        |                                 |                                  |
|---------------------------------------|------------------------------|------------------------|---------------------------------|----------------------------------|
| 1. Air Control                        | 6. AdaptaSsage™ Jet          | 11. Suction Screen     | 16. Filter Compartment          | 21. Auxiliary Control Panel      |
| 2. Temperature Sensor                 | 7. <b>VERSASSAGE</b> Jet     | 12. Light              | 17. Grab Rail                   | 22. <b>FROG</b> Housing          |
| 3. Euro Directional Jet               | 8. Euphoria™ Jet             | 13. Speaker (optional) | 18. Air Jet                     | 23. <b>ATLAS</b> Neck Jet Valve  |
| 4. Euro-Pulse™ Jet                    | 9. Ozone Jet / Heater Return | 14. Spa Control Panel  | 19. Waterfall Valve             | 24. <b>ATLAS</b> Neck Jet Pillow |
| 5. <b>ULTRAMASSEUSE</b> Control Panel | 10. Diverter Valve           | 15. Pillow             | 20. <b>ACQUARELLA</b> Waterfall | 25. <b>ORBISSAGE</b> Jet         |

# CONTROLS AND EQUIPMENT

## UTOPIA GENEVA



### OVERHEAD VIEW

- |                           |                          |                                 |                                  |                         |
|---------------------------|--------------------------|---------------------------------|----------------------------------|-------------------------|
| 1. Air Control            | 7. <b>VERSASSAGE</b> Jet | 13. Light                       | 18. Auxiliary Panel              | 23. Waterfall Valve     |
| 2. <b>EURO-PULSE</b> Jet  | 8. <b>ORBISSAGE</b> Jet  | 14. Ozone Jet/ Heater Return    | 19. Grab Rail                    | 24. Filter Lid          |
| 3. Euro Directional Jet   | 9. Whirlpool Jet         | 15. Control Panel               | 20. <b>ATLAS</b> Neck Jet Valve  | 25. <b>FROG</b> Housing |
| 4. Air Jet                | 10. <b>EUPHORIA</b> Jet  | 16. Pillow                      | 21. <b>ATLAS</b> Neck Jet Pillow | 26. Speakers (Optional) |
| 5. <b>ADAPTAFL0</b> Jet   | 11. Diverter Valve       | 17. <b>ACQUARELLA</b> Waterfall | 22. Temperature Sensor           |                         |
| 6. <b>ADAPTASSAGE</b> Jet | 12. Suction Screen       |                                 |                                  |                         |



# CONTROLS AND EQUIPMENT

## UTOPIA NIAGARA



### OVERHEAD VIEW

- |                          |                         |                               |                                  |                                 |
|--------------------------|-------------------------|-------------------------------|----------------------------------|---------------------------------|
| 1. Air Control           | 7. <b>ORBISSAGE</b> Jet | 13. Ozone Jet / Heater Return | 18. Grab Rail                    | 23. <b>ACQUARELLA</b> Waterfall |
| 2. <b>EURO-PULSE</b> Jet | 8. Whirlpool Jet        | 14. Control Panel             | 19. <b>ATLAS</b> Neck Jet Valve  | 24. <b>FROG</b> Housing         |
| 3. Euro Directional Jet  | 9. <b>EUPHORIA</b> Jet  | 15. Pillow                    | 20. <b>ATLAS</b> Neck Jet Pillow | 25. Speakers (Optional)         |
| 4. Air Jet               | 10. Diverter Valve      | 16. Filter Compartment        | 21. Temperature Sensor           |                                 |
| 5. <b>ADAPTAFL0</b> Jet  | 11. Suction Screen      | 17. Auxiliary Panel           | 22. Waterfall Valve              |                                 |
| 6. <b>VERSASSAGE</b> Jet | 12. Light               |                               |                                  |                                 |

# CONTROLS AND EQUIPMENT

## UTOPIA TAHITIAN (WITH ATLAS MASSAGE SYSTEM)



### OVERHEAD VIEW

- |                           |                          |                               |                                  |                                 |
|---------------------------|--------------------------|-------------------------------|----------------------------------|---------------------------------|
| 1. Air Control            | 6. <b>ADAPTAFLO</b> Jet  | 11. Diverter Valve            | 15. Control Panel                | 20. Waterfall Valve             |
| 2. Temperature Sensor     | 7. <b>VERSASSAGE</b> Jet | 12. Suction Screen            | 16. <b>ATLAS</b> Neck Jet Pillow | 21. <b>ACQUARELLA</b> Waterfall |
| 3. Euro Directional Jet   | 8. <b>ORBISSAGE</b> Jet  | 13. Light                     | 17. Filter Compartment           | 22. <b>FROG</b> Housing         |
| 4. Air Jet                | 9. Whirlpool Jet         | 14. Ozone Jet / Heater Return | 18. Auxiliary Panel              | 23. Speakers (Optional)         |
| 5. <b>ADAPTASSAGE</b> Jet | 10. <b>EUPHORIA</b> Jet  |                               | 19. Grab Rail                    |                                 |

# CONTROLS AND EQUIPMENT

## UTOPIA TAHITIAN (WITHOUT ATLAS MASSAGE SYSTEM)



### OVERHEAD VIEW

- |                           |                          |                               |                        |                                 |
|---------------------------|--------------------------|-------------------------------|------------------------|---------------------------------|
| 1. Air Control            | 6. <b>ADAPTAFLO</b> Jet  | 11. Diverter Valve            | 15. Control Panel      | 20. Waterfall Valve             |
| 2. Temperature Sensor     | 7. <b>VERSASSAGE</b> Jet | 12. Suction Screen            | 16. Pillow             | 21. <b>ACQUARELLA</b> Waterfall |
| 3. Euro Directional Jet   | 8. <b>ORBISSAGE</b> Jet  | 13. Light                     | 17. Filter Compartment | 22. <b>FROG</b> Housing         |
| 4. Air Jet                | 9. Whirlpool Jet         | 14. Ozone Jet / Heater Return | 18. Auxiliary Panel    | 23. Speakers (Optional)         |
| 5. <b>ADAPTASSAGE</b> Jet | 10. <b>EUPHORIA</b> Jet  |                               | 19. Grab Rail          |                                 |

# CONTROLS AND EQUIPMENT

## PARADISE MAKENA



### OVERHEAD VIEW

- |                          |                              |                                 |                         |
|--------------------------|------------------------------|---------------------------------|-------------------------|
| 1. Air Control Valve     | 6. <b>EUPHORIA</b> Jet       | 11. Pillow                      | 16. <b>FROG</b> Housing |
| 2. Temperature Sensor    | 7. Diverter Valve            | 12. Filter Compartment          | 17. Speaker (Optional)  |
| 3. Euro Directional Jet  | 8. Drain                     | 13. <b>ACQUARELLA</b> Waterfall |                         |
| 4. <b>VERSASSAGE</b> Jet | 9. Ozone Jet / Heater return | 14. Waterfall Valve             |                         |
| 5. <b>ADAPTAFLO</b> Jet  | 10. Control Panel            | 15. Assist Bar                  |                         |

# CONTROLS AND EQUIPMENT

## PARADISE SALINA



### OVERHEAD VIEW

- |                          |                             |                                 |                         |
|--------------------------|-----------------------------|---------------------------------|-------------------------|
| 1. Air Control Valve     | 6. <b>EUPHORIA</b> Jet      | 11. Pillow                      | 16. <b>FROG</b> Housing |
| 2. Temperature Sensor    | 7. Diverter Valve           | 12. Filter Compartment          | 17. Speaker (Optional)  |
| 3. Euro Directional Jet  | 8. Drain                    | 13. <b>ACQUARELLA</b> Waterfall |                         |
| 4. <b>VERSASSAGE</b> Jet | 9. Ozone Jet/ Heater Return | 14. Waterfall Valve             |                         |
| 5. <b>ADAPTAFLO</b> Jet  | 10. Control Panel           | 15. Assist Bar                  |                         |

# CONTROLS AND EQUIPMENT

## PARADISE MARTINIQUE

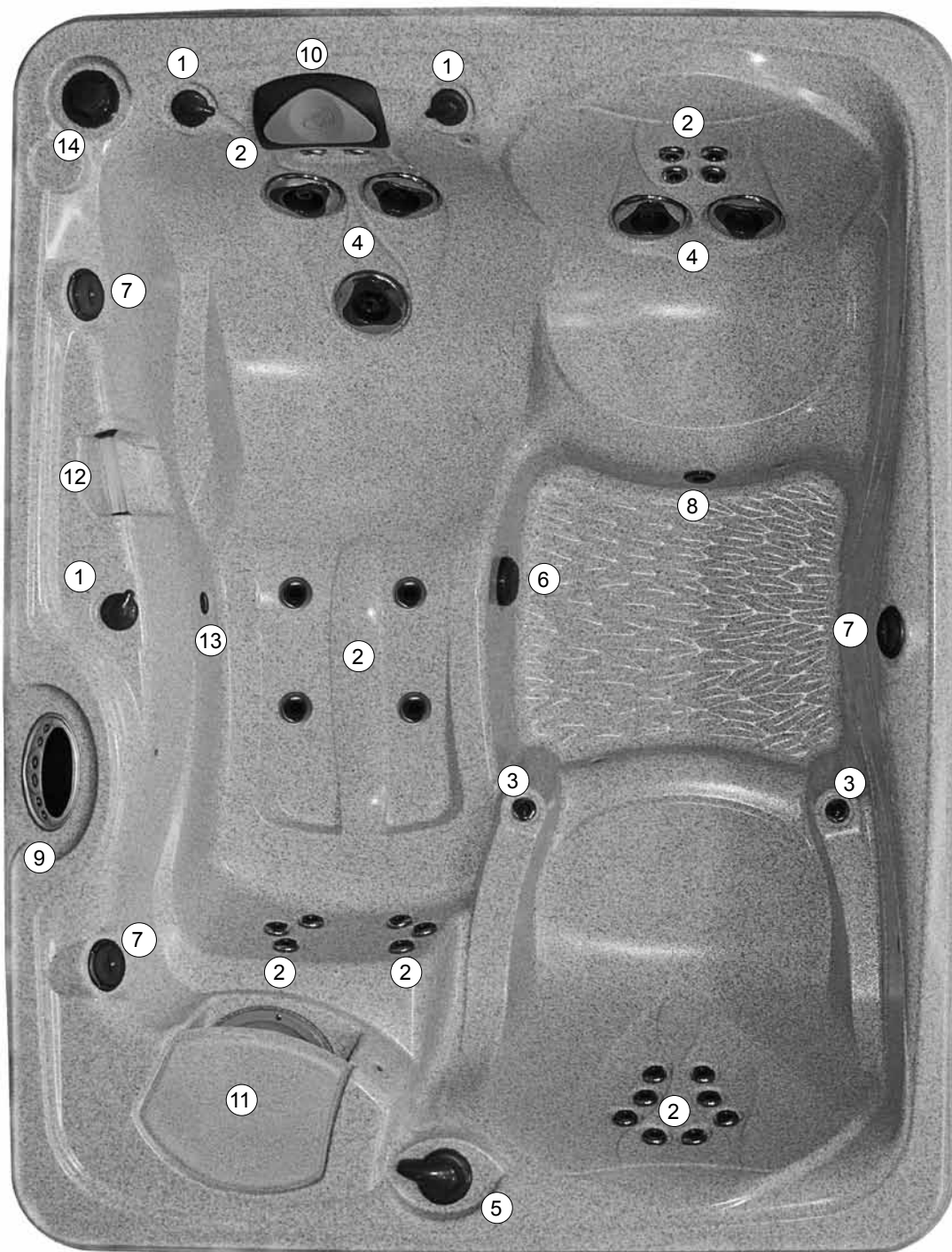


### OVERHEAD VIEW

- |                           |                          |                                 |                                    |                         |
|---------------------------|--------------------------|---------------------------------|------------------------------------|-------------------------|
| 1. Air Control Valve      | 5. <b>ADAPTAFLO</b> Jet  | 9. Speaker (Optional)           | 13. Filter Compartment             | 17. <b>FROG</b> Housing |
| 2. Euro Directional Jet   | 6. <b>VERSASSAGE</b> Jet | 10. Ozone Jet/<br>Heater Return | 14. Assist Bar                     |                         |
| 3. Temperature Sensor     | 7. Diverter Valve        | 11. Control Panel               | 15. <b>ACQUARELLA</b><br>Waterfall |                         |
| 4. <b>ADAPTASSAGE</b> Jet | 8. Drain                 | 12. Pillow                      | 16. Waterfall Valve                |                         |

# CONTROLS AND EQUIPMENT

## PARADISE KAUAI



### OVERHEAD VIEW

- |                          |                          |                             |                        |                         |
|--------------------------|--------------------------|-----------------------------|------------------------|-------------------------|
| 1. Air Control           | 4. <b>VERSASSAGE</b> Jet | 7. Speaker (Optional)       | 10. Pillow             | 13. Temperature Sensor  |
| 2. Euro Directional Jet  | 5. Diverter Valve        | 8. Ozone Jet/ Heater Return | 11. Filter Compartment | 14. <b>FROG</b> Housing |
| 3. <b>EURO-PULSE</b> Jet | 6. Drain                 | 9. Control Panel            | 12. Assist Bar         |                         |

# ELECTRICAL INSTALLATION

## UTOPIA CANTABRIA

### ELECTRICAL REQUIREMENTS AND PRECAUTIONS

Your **CALDERA** spa has been carefully designed to give you maximum safety against electrical shock. Connecting the spa to an improperly wired circuit will negate many of the spa's safety features. Improper wiring may also cause electrocution, risk of fire, and other risks of injuries. Please read and follow the electrical installation requirements and instructions for your spa completely! Unless otherwise stipulated by your dealer, **THIS IS YOUR RESPONSIBILITY.**

**SERVICE NOTE:** All **CALDERA** spas have diagnostic functions that are displayed on the main control panel when the Power Indicator, Ready Indicator or both are blinking. Follow the instructions in the troubleshooting section to identify and correct the cause.

**CALDERA SPAS MUST BE WIRED IN ACCORDANCE WITH ALL APPLICABLE NATIONAL AND LOCAL ELECTRICAL CODES. ALL ELECTRICAL WORK SHOULD BE DONE BY AN EXPERIENCED, LICENSED ELECTRICIAN. WE RECOMMEND THE USE OF APPROPRIATE ELECTRICAL CONDUIT, FITTINGS, AND WIRE FOR ALL CIRCUITS.**

**NOTE:** The **UTOPIA CANTABRIA** will require an additional 16 amp breaker in order to operate the heater and the Lounge seat (jet pump 3) at the same time. Without the additional 16 amp breaker, the heater will **NOT** operate while the jets in the lounge (jet pump 3) are on.

Mount the subpanel according to local codes, but not closer than 1.5 meters (5 feet) away.

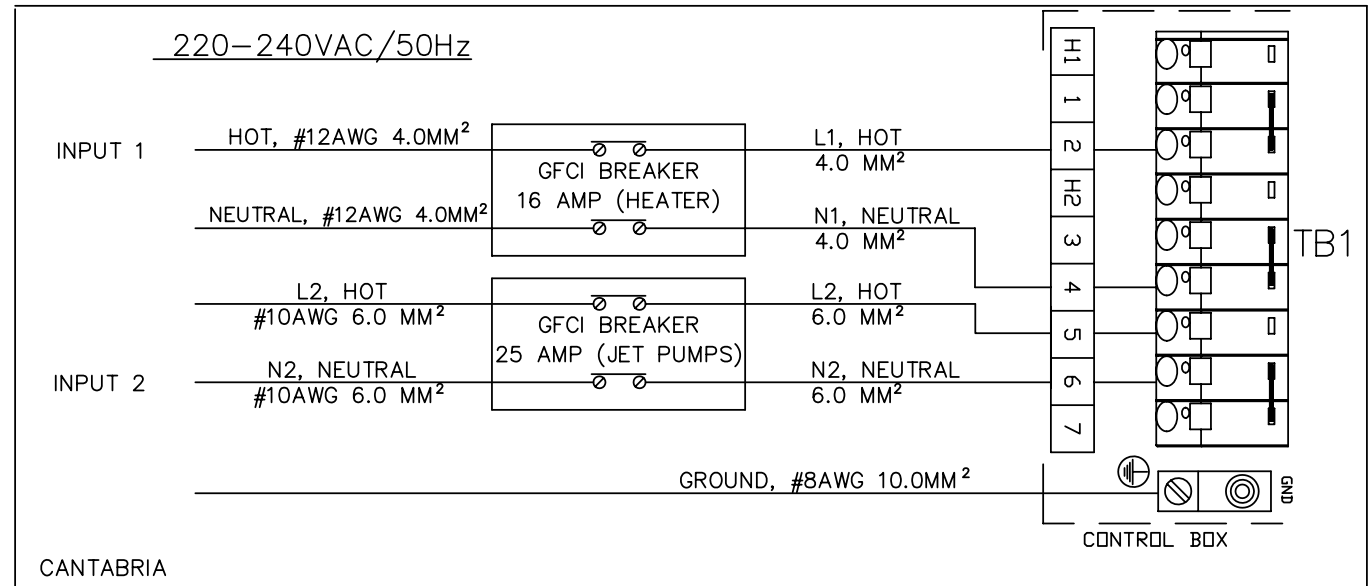
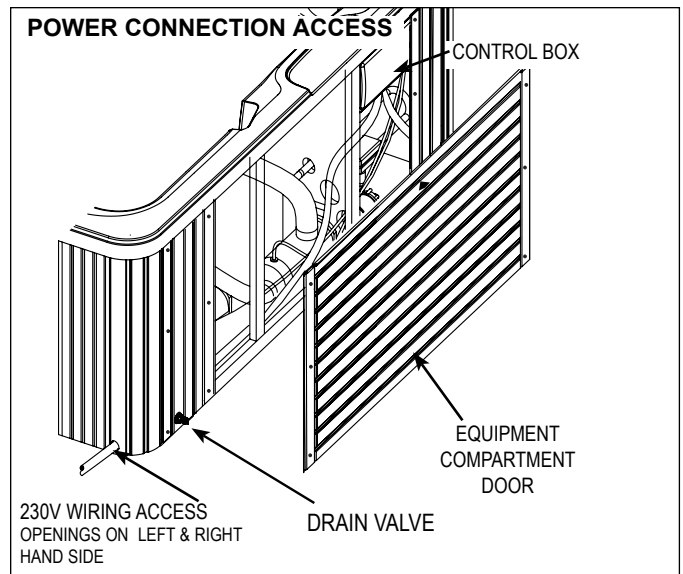
### CONDUIT INSTALLATION INSTRUCTIONS

1. To connect the electrical service, first remove the screws from the equipment compartment door. Carefully pull the door panel down and away in order to remove it completely from the spa.
2. Locate the control box. Loosen the screws on the front of the control box. Remove the screws and the control box cover.
3. Route the electrical conduit through the access opening on either side of the spa.
4. Connect the supply conduit to the control box and connect the wiring as detailed below and on the wiring diagram label on the inside of the control box cover.

⚠ **WARNING:** Removing or bypassing any GFCI breaker will result in an unsafe spa and will void the spa's warranty.

**IMPORTANT:** Should you ever find the need to move or relocate your **CALDERA** spa, it is essential that you understand and apply these installation requirements. Your **CALDERA** spa has been carefully engineered to provide maximum safety against electric shock. Remember, connecting the spa to an improperly wired circuit will negate many of its safety features.

**NOTE:** Long wiring runs may require larger-gauge wire than stated.



**NOTES:** Connect supply wiring as shown in the diagrams above.

Connect only to a circuit which is protected by a Ground Fault Circuit Interrupter (GFCI).



# ELECTRICAL INSTALLATION

## GENEVA • NIAGARA • TAHITIAN • MAKENA • SALINA • MARTINIQUE • KAUAI

### ELECTRICAL REQUIREMENTS AND PRECAUTIONS

Your CALDERA spa has been carefully designed to give you maximum safety against electrical shock. Connecting the spa to an improperly wired circuit will negate many of the spa's safety features. Improper wiring may also cause electrocution, risk of fire, and other risks of injuries. Please read and follow the electrical installation requirements and instructions for your spa completely! Unless otherwise stipulated by your dealer, **THIS IS YOUR RESPONSIBILITY.**

**SERVICE NOTE:** All CALDERA spas have diagnostic functions that are displayed on the control panel. Four flashing lines are visible on the control panel if the heater high limit thermostat has tripped. If the four flashing lines are visible, follow the instructions in the troubleshooting section to identify and correct the cause. The four flashing lines will stop flashing once the problem has been corrected.

**CALDERA SPAS MUST BE WIRED IN ACCORDANCE WITH ALL APPLICABLE NATIONAL AND LOCAL ELECTRICAL CODES. ALL ELECTRICAL WORK SHOULD BE DONE BY AN EXPERIENCED, LICENSED ELECTRICIAN. WE RECOMMEND THE USE OF APPROPRIATE ELECTRICAL CONDUIT, FITTINGS, AND WIRE FOR ALL CIRCUITS.**

The **KAUAI** spa requires a 16 amp, single phase, 230 volt, three wire service (one line, one neutral, one ground). By using a 16 amp service, the heater will not operate whenever the jet pump is running in the high speed mode. Upgrading to a 32 amp service will allow the heater and the high speed mode of the jet pump to run simultaneously. **When upgrading the KAUAI spa to a 32 amp service, jumper JP3 must be removed from the control box prior to powering up the spa (see jumper illustration below).** The **GENEVA, NIAGARA, TAHITIAN, MAKENA, SALINA,** and **MARTINIQUE** spas require a dual electrical service using a 16 & 25 amp breaker and wired per the illustration found on the next page. Additionally, one main disconnect switch with at least 3mm separation between contacts must be used for all electrical circuits to the spa.

Mount the subpanel according to local codes, but not closer than 1.5 meters (5 feet) away.

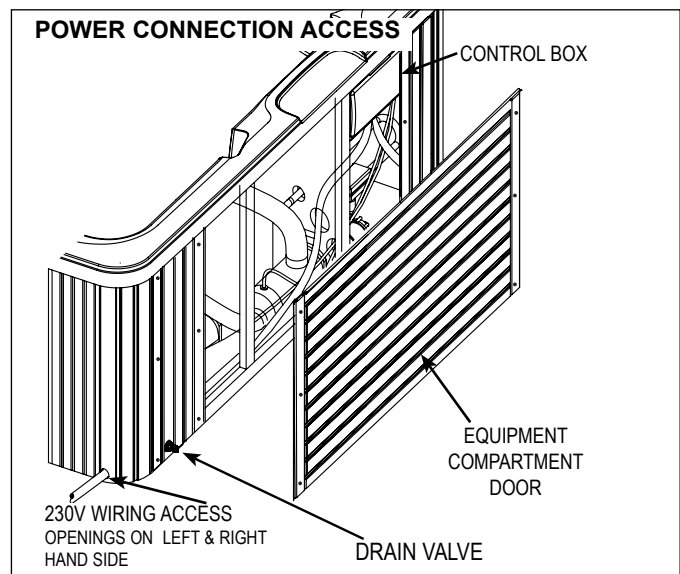
### CONDUIT INSTALLATION INSTRUCTIONS

1. To connect the electrical service, first remove the screws from the equipment compartment door. Carefully pull the door panel down and away in order to remove it completely from the spa.
2. Locate the control box. Loosen the screws on the front of the control box. Remove the screws and the control box cover.
3. Route the electrical conduit through the access opening on either side of the spa.
4. Connect the supply conduit to the control box and connect the wiring as detailed below and on the wiring diagram label on the inside of the control box cover.

⚠ **WARNING:** Removing or bypassing any GFCI breaker will result in an unsafe spa and will void the spa's warranty.

**IMPORTANT:** Should you ever find the need to move or relocate your CALDERA spa, it is essential that you understand and apply these installation requirements. Your CALDERA spa has been carefully engineered to provide maximum safety against electric shock. Remember, connecting the spa to an improperly wired circuit will negate many of its safety features.

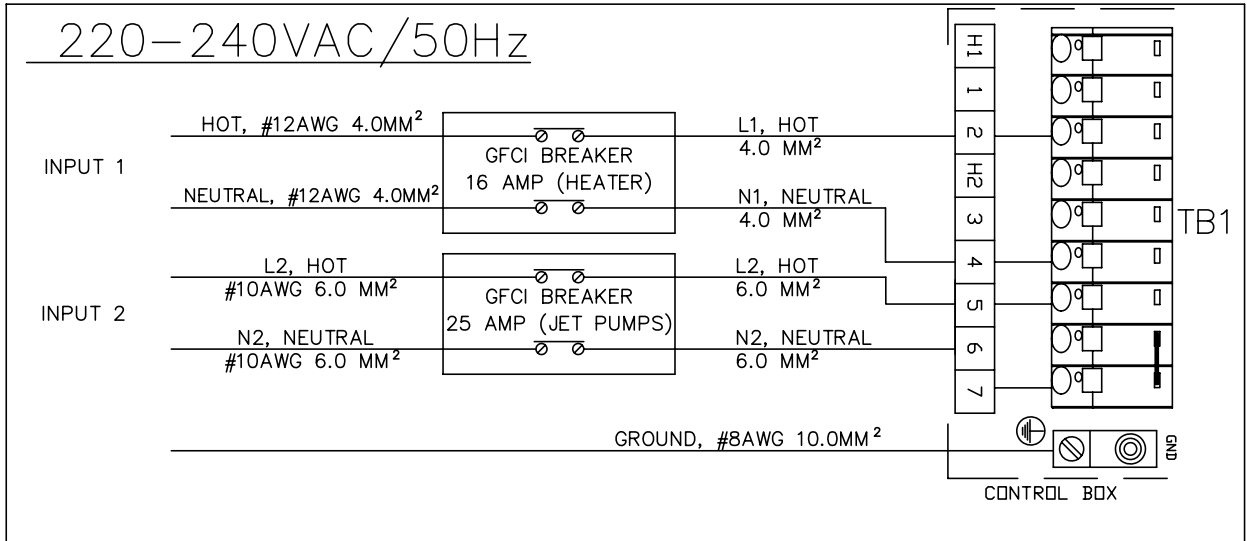
**NOTE:** Long wiring runs may require larger-gauge wire than stated.



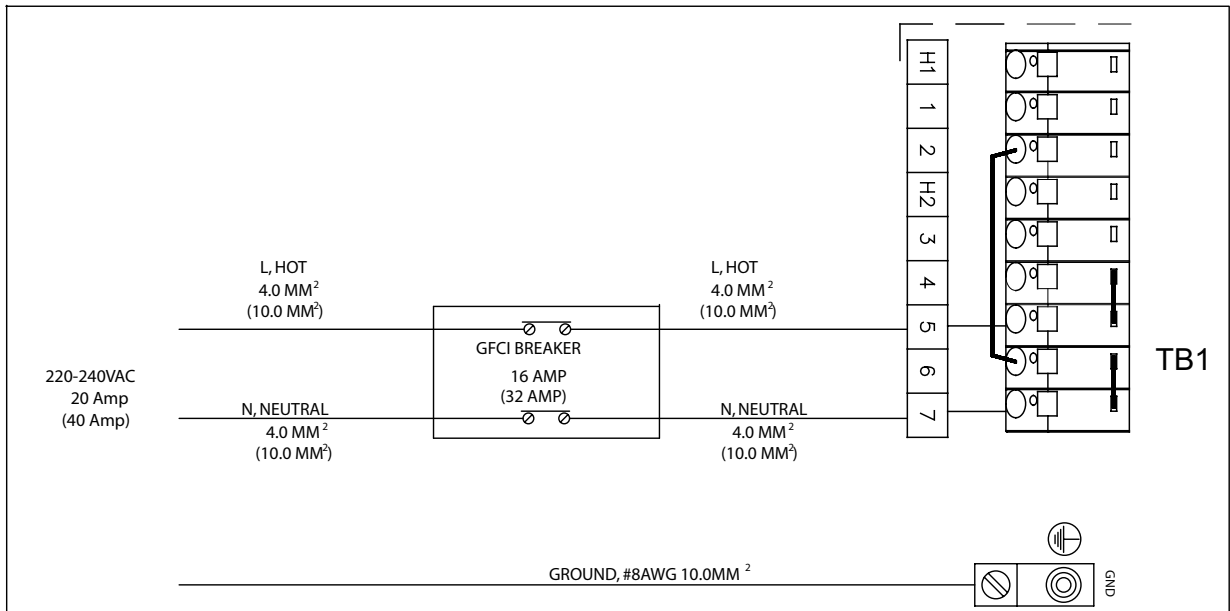
# ELECTRICAL INSTALLATION

## WIRING DIAGRAMS

GENEVA • NIAGARA • TAHITIAN  
• MAKENA • SALINA • MARTINIQUE



## KAUAI



**NOTES:** Connect supply wiring as shown in the diagrams above.

Connect only to a circuit which is protected by a Ground Fault Circuit Interrupter (GFCI).

# START-UP AND REFILL PROCEDURES

Your **CALDERA** spa has been thoroughly tested during the manufacturing process to ensure reliability and long-term customer satisfaction. A small amount of water may have remained in the plumbing after testing and, as a result, may have spotted the spa shell or the spa siding prior to delivery. Before filling the spa, wipe the spa shell clean with a soft rag. The following instructions must be read and followed exactly to ensure a successful start-up or refill.

## CAUTIONS

- Do NOT fill the spa with hot water, as tripping of the high-limit thermostat may result.
- DO NOT CONNECT POWER TO AN EMPTY SPA. Power to the spa automatically activates critical components within the spa, such as controls, heater, and other systems. If power is supplied to these components prior to the spa being filled, the components will be damaged, and this may result in a non-warranty component failure.
- DO NOT use your spa after filling until all of the steps listed below are completed.
- DO NOT add chlorine if treating your spa with polyhexamethylene biguanide (Biguanide, PHMB, eg. BaquaSpa®) sanitizer.
- Before filling your spa for the first time, remove the equipment compartment door and check to ensure that the unions on either side of the pump(s) and heater are hand-tight.

1. **CLOSE ALL DRAINS, remove the filter compartment cover, skimmer basket, weir, and filter.** Fill your spa through the filter compartment using the CleanScreen™ pre-filter that attaches to your garden hose. The water level of your spa should be maintained at a level one inch above the highest jet in the spa. Reinstall the filter and then the skimmer basket, and weir once the spa is filled.

**IMPORTANT:** *Watkins Manufacturing Corporation does not recommend that the spa be filled with "softened" water, as this may damage the spa's equipment.*

2. **AFTER THE SPA HAS BEEN FILLED** with water and the equipment compartment door is secured, power must be applied to the spa.

- FIRST activate power to the subpanel from the main house panel.
- NEXT open the door of the electrical subpanel and reset the GFCI breaker.
- FINALLY, close and secure the subpanel door.

3. **TO CHECK THE OPERATION OF THE JET SYSTEM** and to purge any remaining air from the heating system complete the following steps:

- For spas with blowers, press the JETS hard button to enter the Jets Screen then press the soft button next to AIR JETS to turn air jets and Blower icon on.
- Press JETS button (on Paradise main control panel) 1 time for Kauai spa, 2 times for Martinique spa, and 3 times for all other spa models.
- Press the JETS hard button (on UTOPIA main control panel) press the soft button next to **Jet Max** to place both jet pumps on High.
- For **CANTABRIA** spa only, press soft button next to **Lounge Jet** to activate jet pump 3. Press soft button next to Jet 1 and Jet 2 until both are on High.

Once the jet system is fully operational (as indicated by strong, non-surging jets), priming of the spa is complete. Turn off spa functions.

**NOTE:** To turn off the jets for **UTOPIA** spas, press the soft button next to **All Off** on the home screen to turn all functions off simultaneously. To turn off the jets for paradise spas, continue pressing the JETS button until all Jets turn off.

If you do not feel a steady stream of water from your jets, refer to the instructions for priming the pump in the SPA TROUBLESHOOTING section.

4. **USING A TEST STRIP AND APPLICABLE CHEMICALS** adjust Total Alkalinity (TA) to 40-120 ppm, Calcium Hardness (CH) 50-150 ppm, then spa water pH to between 7.2 and 7.6. These procedures are listed in the "Water Quality and Maintenance" section.

**OPERATION NOTE:** *Adjusting the Total Alkalinity as the first step is important, as out-of-balance TA will affect your ability to adjust the pH correctly and will prevent the sanitizer from operating effectively.*

**IMPORTANT:** *Activate the Clean cycle before adding spa water chemicals directly into the filter compartment. Make sure all diverter valves are set to the middle position. (For Paradise spas, press "MODE ▲" or "MODE ▼" button on main control panel until **CLEAN** is displayed, then press "ON ▲" to turn it on). For Utopia, press soft button next to **CLEAN** on the home screen to activate clean cycle.*

5. **SUPERCHLORINATE THE SPA WATER** by adding 1½ teaspoons of Monarch™ chlorine (sodium dichlor) per 950 liters (250 gallons) of spa water, then activate the Clean cycle.
6. **TEMPERATURE CONTROL** The spa temperature is pre-programmed to reach 39°C (100°F), and will normally do so within 18 to 24 hours. Place the spa cover on the spa and allow the water temperature to stabilize. Make sure you secure the cover in place using the cover locks. Periodically check the spa water temperature. When the water temperature climbs above 32°C (90°F), proceed to the next step.
7. **TEST THE SPA WATER FOR BROMINE RESIDUAL.** If the residual is between 1 and 2 ppm on the test strips, go on to the next step. If the residual is less than 1 ppm, activate the Clean cycle, and then retest.
8. **INSTALL FROG bromine and mineral cartridges.** Dial the mineral cartridge to setting 6 and snap into the top space of the cartridge holder. Dial the bromine cartridge to the appropriate setting based on the chart below and snap into the bottom space of the cartridge holder.

|                   |          |           |
|-------------------|----------|-----------|
| Spa Size (liters) | 945-1515 | 1515-1895 |
| Bromine Setting   | 2        | 3         |

**WARNING:** *High sanitizer levels can cause discomfort to the user's eyes, lungs and skin. Always allow the sanitizer level to fall to the recommended range before using the spa.*

**IMPORTANT:** *Each time the spa is filled with water, you must remove and reinstall the **FROG** cap, even if you are not replacing the cartridge, in order to properly prime the jet pumps.*

9. **RECHECK** the Total Alkalinity (TA) 40-120 ppm, Calcium Hardness (CH) 50-150 ppm, then spa water pH at between 7.2 and 7.6.

**OPERATION NOTE:** *Make sure you adjust your Total Alkalinity first, as an out-of-balance condition will affect your ability to adjust the pH correctly, and will affect the sanitizers effectiveness.*

The spa is ready for use when the spa water has circulated and the bromine level remains between 1-ppm and 2-ppm.

# CUSTOMIZING YOUR MASSAGE

Your **CALDERA** spa offers numerous ways for you to customize your massage experience. Experimentation is the best way to find what feels best to you. Try sitting in different seats, adjusting the diverter valves, air controls, and jet nozzles and turning each pump on or off.

## DIVERTER VALVES

The diverter valves on your spa allow you to direct the flow of water from the pumps to various combinations of jets. The functions of these diverter valves can best be learned by experimentation as follows:

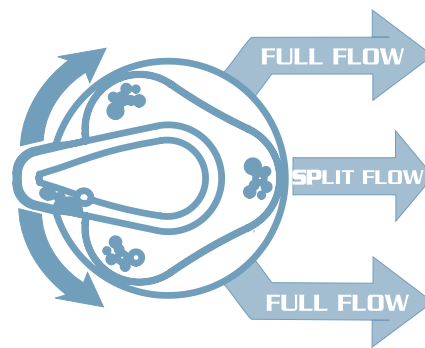
1. Set all air controls to the "ON" position by rotating counterclockwise.
2. Turn on both pumps.
3. Turn the handle on each diverter valve and see which groups of jets are affected. (Note that you can adjust the diverter valves to any position between the two possible extremes to achieve the jet pressure that feels best to you.)

**IMPORTANT:** Your spa is not designed to provide full power to all jets when the diverter valves are in the "mid" position. However, with the diverter valve in this position, you may increase the power to selected jets by rotating the face of the **ADAPTA**FLO and **ADAPT**ASSAGE jets to close the ones that are not in use.

**TIP:** Turn both pumps on and place the diverter valves to the "Mid-Position". Then experiment with each of the air controls to see their effect.



UTOPIA SERIES



PARADISE SERIES

**Position 1** - The full flow is directed to one series of jets.

**Mid-Position** - Positioning the diverter at any point between position one and two divides the flow between the jet systems.

**Position 2** - The full flow is directed to a second series of jets.

## ACQUARELLA WATERFALL VALVE

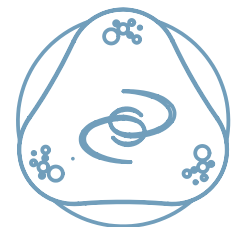
The **CANTABRIA**, **GENEVA**, **NIAGARA**, **TAHITIAN**, **MAKENA**, **SALINA**, and **MARTINIQUE** are equipped with the **ACQUARELLA** Waterfall feature. activated by pressing on **JETS** button once or several times until waterfall begins to flow. The flow is regulated by turning the **ACQUARELLA** Waterfall valve located on the inside wall of the spa.

## ATLAS NECK JET VALVE

The **CANTABRIA**, **GENEVA** and **NIAGARA** spas are equipped with 4 directional neck jets located in the **ECSTASEAT**. The flow of the neck jets is regulated by turning the **ATLAS** NeckJet valve on the inside wall of the spa.



UTOPIA SERIES



PARADISE SERIES

## AIR CONTROLS

Each jet system has its own air control. These allow you to change the power of the jets by regulating the amount of air that is mixed with the water coming out of the jets.

## HYDRO JETS

**Note:** All Hydro jet images are shown with stainless steel escutcheons.

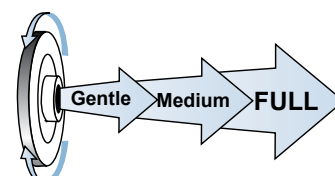
**ADAPTA**FLO Jet - This jet allows you to redirect the jet stream by changing the position of the nozzle.

**ADAPT**ASSAGE Jet - This jet provides a rotating massage pattern.

The face plates in the **ADAPTA**FLO jets and the **ADAPT**ASSAGE jets are interchangeable. To remove a **ADAPT**ASSAGE face plate, turn it counter-clockwise until it stops turning. Turn the face once more until you hear a clicking noise. Push the face in, and then pull it straight off. Install the face plate by snapping it into place. Additional **ADAPT**ASSAGE dual-port nozzles are available from your **CALDERA** dealer.

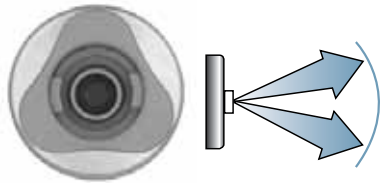


UTOPIA SERIES

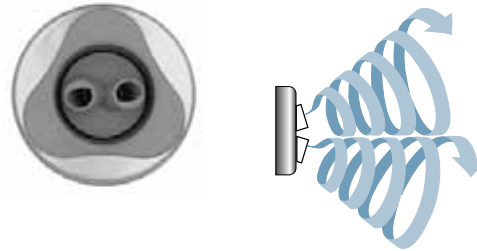


## CUSTOMIZING YOUR MASSAGE

Both the **ADAPTAFLO** and **ADAPTASSAGE** jets allow you to regulate the force of the massage. Rotate the fascia ring clockwise to reduce the force, or counter-clockwise to increase the force. Notice that turning off the flow to some jets increases the flow to the other jets. To avoid damage to your spa's plumbing and components, do not turn off more than half of these jets at the same time.

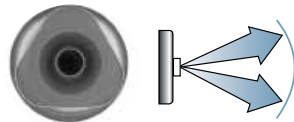


**ADAPTAFLO JET**



**ADAPTASSAGE JET**

**Euro Directional and EURO-PULSE Jets** - The Euro Directional jet with eyeball nozzle delivers a direct, more focused massage. The **EURO-PULSE** jets (standard on some models and optional on others) feature a special insert that creates a soft, pulsating, rotary massage. The roto jet cap assemblies may be removed if you want a more powerful, direct massage in the wrist locations. To do this, rotate counter clockwise and pull off. You may purchase additional roto jet assemblies from your **CALDERA** dealer.

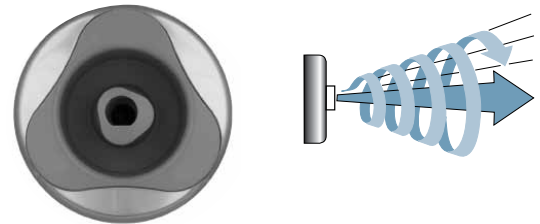


**EURO DIRECTIONAL JET**



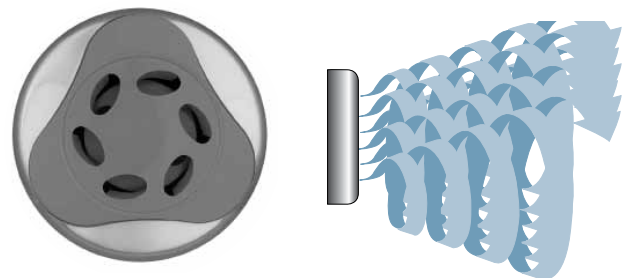
**EURO-PULSE JET**

**VERSASSAGE Jet** - This jet may be adjusted to provide either a stationary, direct stream, or, by positioning the nozzle to one side or the other, a rotating massage pattern. For cleaning instructions, see the **VERSASSAGE** Jets Maintenance section. To avoid damage to your spa's plumbing and components, do not turn off more than half of these jets at the same time.



**VERSASSAGE JET**

**ORBISSAGE Jets (UTOPIA Only)** - This jet provides a unique, pulsating massage. The flow is adjustable in that it can be turned completely off or on (by rotating the jet faceplate). It is also interchangeable with the **VERSASSAGE** jet. For cleaning or replacement instructions see **VERSASSAGE & ORBISSAGE** Jets Maintenance section.



**ORBISSAGE JET**

### AIR JETS

The air jet system consists of a 1 HP air pump and 14 air jets on the **CANTABRIA** or 10 air jets found only on **GENEVA, NIAGARA, and TAHITIAN** spas. The air jets deliver air bubbles to provide subtle pulsation for a gentle, soft-tissue massage. At the beginning of the automatic operation cycle for these spas only, the air jets will operate for one minute to clean out the air channel.

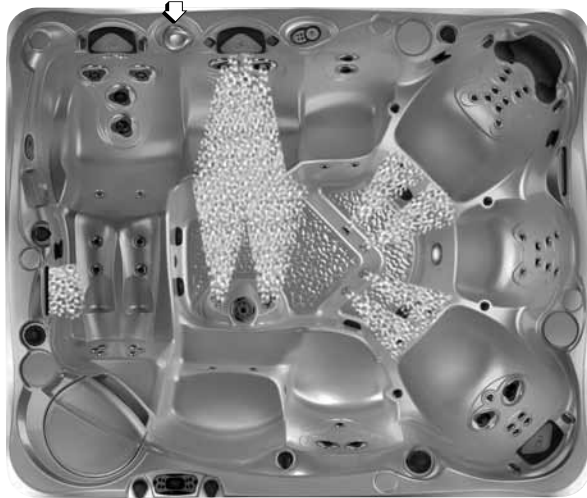


**AIR JET**

# JET MENU

## CANTABRIA

↕ = position of diverter valve to control system



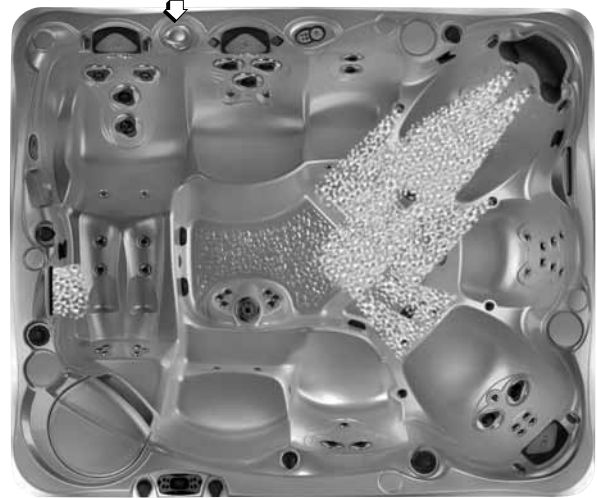
### JET PUMP 1 - JET SYSTEM 1

Located on back wall:

- 2 Euro-Directional jets
- 3 **VERSASSAGE** jets

Located in footwell:

- 10 Euro-Directional jets
- Left **ACQUARELLA** Waterfall



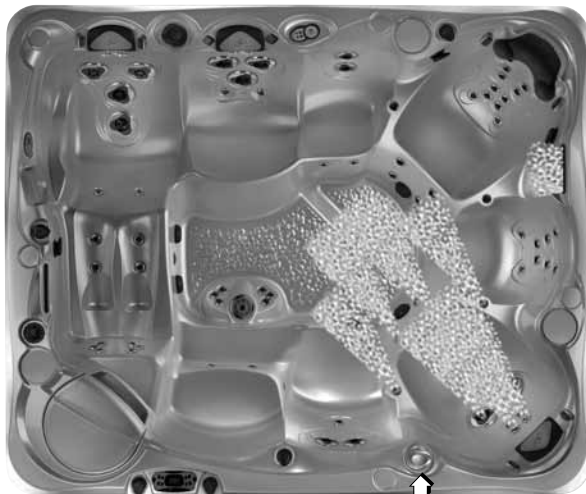
### JET PUMP 1 - JET SYSTEM 2

Located in back right:

- 18 Euro-Directional jets
- 2 **EURO-PULSE** jets

Located in footwell:

- 4 Euro-Directional jets
- Left **ACQUARELLA** Waterfall

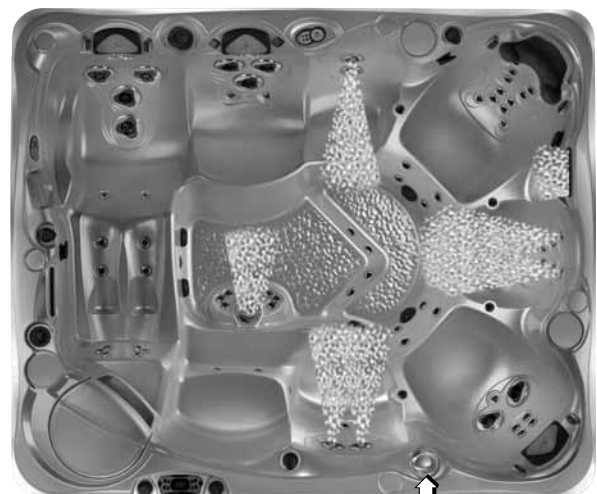


### JET PUMP 2 - JET SYSTEM 1

Located in front right:

- 8 Euro-Directional jets
- 2 **VERSASSAGE** jets
- 2 **EURO-PULSE** jets

Right **ACQUARELLA** Waterfall



### JET PUMP 2 - JET SYSTEM 2

Located on back wall:

- 2 **ADAPTASSAGE** jets

Located on front wall

- 2 **ADAPTASSAGE** jets

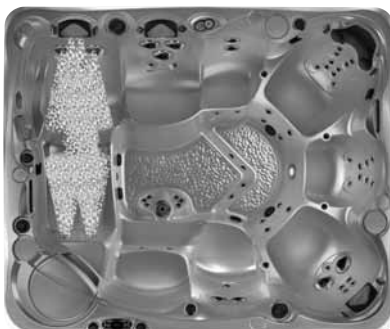
Located on right:

- 6 Euro jets

Located in footwell:

- 1 **EUPHORIA** jet

Right **ACQUARELLA** Waterfall



### JET PUMP 3 - ULTRAMASSEUSE SYSTEM 1

Located in the UltraMassage™ lounge:

- 12 Euro jets
- 2 **ORBISSAGE** jets
- 2 **VERSASSAGE** jets

# JET MENU

↕ = position of diverter valve to control system

## UTOPIA GENEVA



### JET PUMP 1 – JET SYSTEM 1

Located in ECSTASEAT – back left:

- 2 EURO-PULSE jets
- 14 Euro Directional jets
- 4 Directional Neck jets



### JET PUMP 1 – JET SYSTEM 2

- 2 ADAPTASSAGE jets on left wall
- 1 ADAPTAFLO jet on back wall
- 4 Directional Neck jets

Located in LUMBARSSAGE seat – back right:

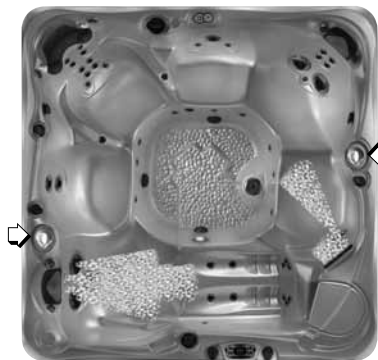
- 6 Euro Directional jets
- 2 VERSASSAGE jets



### JET PUMP 2 – JET SYSTEM 1

Located in ULTRAMASSAGE lounge – front:

- ACQUARELLA Waterfall
- 6 SOLE SOOTHERS
- 6 Euro Directional jets
- 2 VERSASSAGE jets
- 2 ORBISSAGE jets



### JET PUMP 2 – JET SYSTEM 2

- Activates right side diverter

Located in ULTRAMASSAGE lounge – front right:

- 2 Euro Directional jets
- 2 VERSASSAGE jets
- 2 ORBISSAGE jets

#### Right Side Jet System 1:

- 1 Whirlpool jet on right wall
- ACQUARELLA Waterfall



### JET PUMP 2 – JET SYSTEM 2

- Activates right side diverter

Located in ULTRAMASSAGE lounge – front right:

- 2 Euro Directional jets
- 2 VERSASSAGE jets
- 2 ORBISSAGE jets

#### Right Side Jet System 2:

- 1 EUPHORIA jet in footwell
- ACQUARELLA Waterfall

## COMBINATION JET SYSTEM

Jet Pump 1 diverter in mid position activates both Jet Pump 1 - Systems 1 and 2.  
 Jet Pump 2 diverter in mid position activates both Jet Pump 2 - Systems 1 and 2.  
 Right Side diverter in mid position activates Right Side Systems 1 and 2.

# JET MENU

↕ = position of diverter valve  
to control system

## UTOPIA NIAGARA



### JET PUMP 1 – JET SYSTEM 1

Located in **ECSTASEAT** – back left:

- 2 **EURO-PULSE** jets
- 14 Euro Directional jets
- 4 Directional Neck jets

### JET PUMP 1 – JET SYSTEM 2

- 1 **ADAPTAFLO** jet on right wall
- 2 **VERSASSAGE** jets on front left wall
- 4 Directional Neck jets

Located in **LUMBARSSAGE** seat – back right:

- 6 Euro Directional jets
- 2 **VERSASSAGE** jets



### JET PUMP 2 – JET SYSTEM 1

- 8 **SOLE SOOTHERS** in back center
- **ACQUARELLA** Waterfall

Located in **ULTRAMASSAGE** lounge – front right:

- 2 Euro Directional jets
- 2 **VERSASSAGE** jets
- 2 **ORBISSAGE** jets

### JET PUMP 2 – JET SYSTEM 2

- Activates right side diverter

Located in **ULTRAMASSAGE** lounge – front right:

- 2 Euro Directional jets
- 2 **VERSASSAGE** jets
- 2 **ORBISSAGE** jets

#### Right Side Jet System 1:

- 1 Whirlpool jet on right wall
- **ACQUARELLA** Waterfall

### JET PUMP 2 – JET SYSTEM 2

- Activates right side diverter

Located in **ULTRAMASSAGE** lounge – front right:

- 2 Euro Directional jets
- 2 **VERSASSAGE** jets
- 2 **ORBISSAGE** jets

#### Right Side Jet System 2:

- 1 **EUPHORIA** jet in footwell
- **ACQUARELLA** Waterfall

## COMBINATION JET SYSTEM

Jet Pump 1 diverter in mid position activates both Jet Pump 1 - Systems 1 and 2.  
Jet Pump 2 diverter in mid position activates both Jet Pump 2 - Systems 1 and 2.  
Right Side diverter in mid position activates Right Side Systems 1 and 2.



# JET MENU

↕ = position of diverter valve to control system

## UTOPIA TAHITIAN (WITH ATLAS MASSAGE SYSTEM)



### JET PUMP 1 – JET SYSTEM 1

Located in ECSTASEAT – back left: with ATLAS Massage System

- 12 Euro Directional jets
- 4 Directional Neck jets with ATLAS Massage System only



### JET PUMP 1 – JET SYSTEM 2

- 4 Directional Neck jets in ECSTASEAT
- 1 ADAPTAFLO jet on back wall
- 2 ADAPTASSAGE jet on left wall

Located in LUMBARSSAGE seat – back right:

- 6 Euro Directional jets
- 2 VERSASSAGE jets



### JET PUMP 2 – JET SYSTEM 1

- ACQUARELLA Waterfall

Located in ULTRAMASSAGE lounge – front:

- 6 SOLE SOOTHERS
- 6 Euro Directional jets
- 2 VERSASSAGE jets
- 2 ORBISSAGE jets



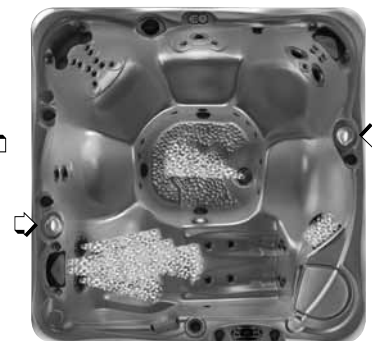
### JET PUMP 2 – JET SYSTEM 2

Located in ULTRAMASSAGE lounge – front right:

- 2 Euro Directional jets
  - 2 VERSASSAGE jets
  - 2 ORBISSAGE jets
- (Activates right side diverter)

#### Right Side Jet System 1:

- 1 Whirlpool jet on right wall
- ACQUARELLA Waterfall



### JET PUMP 2 – JET SYSTEM 2

Located in ULTRAMASSAGE lounge – front right:

- 2 Euro Directional jets
  - 2 VERSASSAGE jets
  - 2 ORBISSAGE jets
- (Activates right side diverter)

#### Right Side Jet System 2:

- 1 EUPHORIA jet in footwell
- ACQUARELLA Waterfall

## COMBINATION JET SYSTEM

Jet Pump 1 diverter in mid position activates both Jet Pump 1 - Systems 1 and 2.  
 Jet Pump 2 diverter in mid position activates both Jet Pump 2 - Systems 1 and 2.  
 Right Side diverter in mid position activates Right Side Systems 1 and 2.

⏏ = position of diverter valve  
to control system

## UTOPIA TAHITIAN (WITHOUT ATLAS MASSAGE SYSTEM)



### JET PUMP 1 – JET SYSTEM 1

Located in ECSTASEAT – back left:

- 14 Euro Directional jets



### JET PUMP 1 – JET SYSTEM 2

- 2 Directional jets in ECSTASEAT
- 1 ADAPTAFLO jet on back wall
- 2 ADAPTASSAGE jet on left wall

Located in LUMBARSSAGE seat – back right:

- 6 Euro Directional jets
- 2 VERSASSAGE jets



### JET PUMP 2 – JET SYSTEM 1

- ACQUARELLA Waterfall

Located in ULTRAMASSAGE lounge – front:

- 6 SOLE SOOTHERS
- 6 Euro Directional jets
- 2 VERSASSAGE jets
- 2 ORBISSAGE jets



### JET PUMP 2 – JET SYSTEM 2

Located in ULTRAMASSAGE lounge – front right:

- 2 Euro Directional jets
- 2 VERSASSAGE jets
- 2 ORBISSAGE jets  
(Activates right side diverter)

#### Right Side Jet System 1:

- 1 Whirlpool jet on right wall
- ACQUARELLA Waterfall



### JET PUMP 2 – JET SYSTEM 2

Located in ULTRAMASSAGE lounge – front right:

- 2 Euro Directional jets
- 2 VERSASSAGE jets
- 2 ORBISSAGE jets  
(Activates right side diverter)

#### Right Side Jet System 2:

- 1 EUPHORIA jet in footwell
- ACQUARELLA Waterfall

## COMBINATION JET SYSTEM

Jet Pump 1 diverter in mid position activates both Jet Pump 1 - Systems 1 and 2.  
Jet Pump 2 diverter in mid position activates both Jet Pump 2 - Systems 1 and 2.  
Right Side diverter in mid position activates Right Side Systems 1 and 2.

# JET MENU

↕ = position of diverter valve  
to control system

## MAKENA



### JET PUMP 1 – JET SYSTEM 1

- 1 **VERSASSAGE** jets – on right wall
  - 2 Euro Directional jets - on right wall
  - 2 Euro Directional jets in footwell
- Located in **ECSTASEAT** – back left:
- 14 Euro Directional jets



### JET PUMP 2 – JET SYSTEM 1

- 1 **EUPHORIA** jet in footwell
  - 2 Euro Directional jets in footwell
  - 2 **ADAPTAFL0** jets – back wall
- Located in **LUMBARSSAGE** Seat – back right
- 5 Euro Directional jets
  - 2 **VERSASSAGE** jets



### JET PUMP 2 – JET SYSTEM 2

- Waterfall
- Located in **ULTRAMASSAGE** lounge – front
- 6 **SOLE SOOTHERS**
  - 3 **VERSASSAGE** jets
  - 4 Euro Directional jets

### COMBINATION JET SYSTEM

Jet Pump 2 diverter in mid position activates both Jet Pump 2 Systems 1 and 2.

# JET MENU

☞ = position of diverter valve to control system

## SALINA



### JET PUMP 1 – JET SYSTEM 1

- 2 ADAPTAFLO jet - on back wall
  - Waterfall on right wall
- Located in **ECSTASEAT** – back left:
- 14 Euro Directional jets



### JET PUMP 2 – JET SYSTEM 1

- 1 EUPHORIA jet in footwell
- 1 VERSASSAGE jets – on right wall
- 2 Euro Directional jets - on right wall
- 2 VERSASSAGE jets – on front left wall
- 4 Euro Directional jets - on front left



### JET PUMP 2 – JET SYSTEM 2

- 4 Euro Directional jets in footwell
- Located in **LUMBARSSAGE Seat** – back right
- 5 Euro Directional jets
  - 2 VERSASSAGE jets
- Located in front right seat
- 2 ADAPTAFLO jets
  - 1 VERSASSAGE jet

### COMBINATION JET SYSTEM

Jet Pump 2 diverter in mid position activates both Jet Pump 2 Systems 1 and 2.

# JET MENU

## MARTINIQUE

⇧ = position of diverter valve  
to control system



### JET PUMP 1 – JET SYSTEM 1

Located in **ECSTASEAT** – back left:

- 8 Euro Directional jets

Located in **LUMBARSSAGE** Seat – back right

- 4 Euro Directional jets
- 2 **VERSASSAGE** jets

Located in Center seat

- 1 **ADAPTAFLO** jet



### JET PUMP 2 – JET SYSTEM 1

Located in **ULTRAMASSAGE** lounge – front

- 6 **SOLE SOOTHERS**
- 3 **VERSASSAGE** jets
- 6 Euro Directional jets
- Waterfall



### JET PUMP 2 – JET SYSTEM 2

- 2 **ADAPTASSAGE** jets on left wall
- 2 **VERSASSAGE** jets in foot well

Located in **ULTRAMASSAGE** lounge – front:

- 2 Euro Directional jets
- 3 **VERSASSAGE** jets
- Waterfall

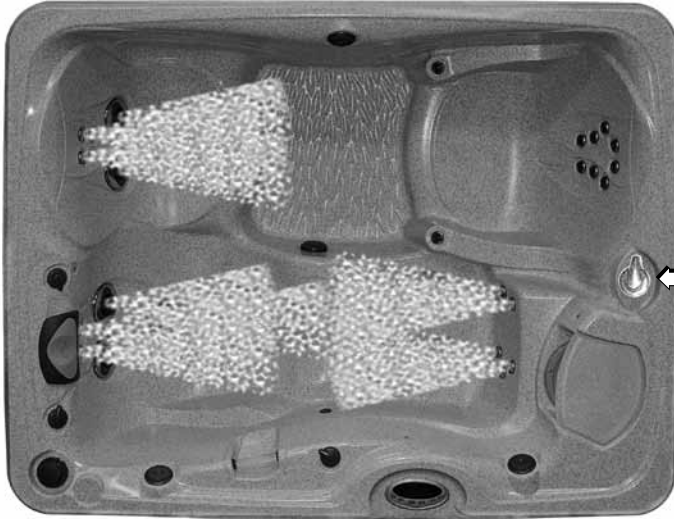
### COMBINATION JET SYSTEM

Jet Pump 2 diverter in mid position activates both Jet Pump 2 Systems 1 and 2.

# JET MENU

↕ = position of diverter valve  
to control system

## KAUAI



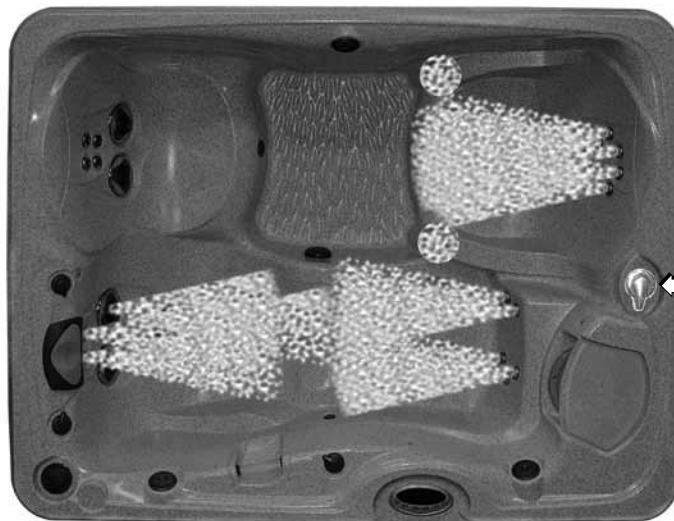
### **JET PUMP – JET SYSTEM 2**

Located in **ULTRAMASSAGE** lounge

- 6 **SOLE SOOTHERS**
- 3 **VERSASSAGE** jets
- 6 **EURO-PULSE** jets

Located in **LUMBARSSAGE** seat

- 4 Euro Directional jets
- 2 **VERSASSAGE** jets



### **JET PUMP – JET SYSTEM 1**

Located in **ULTRAMASSAGE** lounge

- 6 **SOLE SOOTHERS**
- 3 **VERSASSAGE** jet
- 6 Euro Directional jets

Located in **ECSTASEAT**

- 8 Euro Directional jets
- 2 **EURO-PULSE** jets

### **COMBINATION JET SYSTEM**

Jet Pump diverter in mid position activates both Jet Pump Systems 1 and 2.

# UTOPIA OPERATING INSTRUCTIONS

## MAIN CONTROL PANEL

The main control panel provides a quick visual check of the spa's status and allows the user to set the temperature, activate the jets & lights, lock the temperature and/or spa functions. Other optional functions may also be available depending on the spa model and accessory equipment that has been installed into the spa. The main control panel has eight buttons.



### HARD BUTTONS

The four labeled outer buttons are referred to as "Hard buttons". These buttons are fixed and their functions do not change.

**JETS** - If jet pump indicator light is off and JETS hard button is pressed, the 1st jet pump function will activate and the main control panel display will advance to the Jets menu.

If jet pump indicator light is on and the JETS hard button is pressed while in any screen other than the Jets menu, the jets pump function does not change, only the main panel screen will change to the Jets menu.

**LIGHTS** - If lights are off, press LIGHTS hard button from any screen to turn on all lights and display the Lighting Options menu. Continue to press the LIGHTS hard button to cycle through lights zones.

**OPTIONS** - Transitions to the Options screen to access temperature and setup menu

**BACK** - Goes back one menu. In Home screen Hold BACK button until screen rotates 180° to view from inside spa. Repeat to reverse.

### SOFT BUTTONS

The four inside buttons are referred to as "soft buttons". Pressing a soft button will activate the function on the control panel screen closest to that button. After a period of non-use (45 seconds) the display will go back to the Home screen and will remain on for several minutes before going to sleep mode. Pressing any button will wake up a sleeping display.

### INDICATOR ICONS

At a glance, the indicator icons are visible on the main control panel. The indicator icons work independently from the rest of the control panel display. They are displayed so that you may know the status of your spa at a glance. NOTE: Indicators will not be visible when Main Control Panel goes into sleep mode.

**READY Indicator:** The READY indicator will display when the spa water temperature is within 1°C (2°F) of the set temperature, and will turn off when the temperature is outside of that range. If you increase or decrease the temperature setting of the spa, the ready indicator will turn off until the water temperature reaches the acceptable range for the new temperature setting. A flashing READY indicator means a problem may exist with the temperature sensor (see Troubleshooting section for more information)

**Spa Light indicator:** The Spa Light indicator is displayed when any light inside the spa is on. The indicator icon will remain solid as long as any manual light is activated. Spa Light icon will flash only when Auto Exterior Light feature is operating the light.

# UTOPIA OPERATING INSTRUCTIONS



**Spa or Temperature Lock Indicator:** The Spa or Temperature Lock indicator is displayed when either the Spa Lock, Temperature Lock or both are activated. Lock indicator does not flash.



**Jet Pump Indicator:** The Jet Pump indicator is displayed whenever a jet pump is on. The Jet Pump indicator will flash whenever the spa is in the ten-minute Clean Cycle or Auto Clean Cycle.



**Air Jets Indicator:** The Air Jets indicator is displayed whenever the air jets are on and will flash in the Auto Clean Cycle.



**Summer Timer Indicator:** The Summer Timer indicator is displayed when the summer timer is set to ON. In summer timer mode, the heater and circulation pump cycle are off for eight hours. The Summer Timer indicator will not flash.



**POWER Indicator:** The POWER indicator is displayed when the spa is properly supplied with power. It also provides a diagnostic function—a flashing power indicator indicates that the heater high limit has tripped, meaning that either the spa water is above its acceptable temperature range, or a malfunction has occurred within the spa (such as low circulation due to clogged filters). When the power indicator is not displayed it means that there is a problem with the spa control box or the power supplied to the spa (see Troubleshooting section for more information).

## HOME SCREEN

The temperature displayed in the center of the Home screen is the actual temperature of the spa water. If the READY icon is displayed and solid on the control panel, then the actual spa temperature is within 1°C (2°F) of the set temperature. The corner soft button functions are as follows:

### MEMORY

This feature will recall the last active setting for jets and lights prior to pressing the All Off button.

### ALL OFF

This feature will shut jets, lights and audio (if installed) off immediately, while saving the last active jets and lights settings.

### AUDIO

If you purchased music or TV accessories with your spa, this feature will take you to the Audio menu.

**IMPORTANT:** Some soft key functions will only be illustrated if an available accessory has been installed.

### CLEAN

Provided as a convenient timer for water maintenance, this function activates the jet pump on high for a ten minute period. The jet icon will flash to indicate the jet pump is engaged and in the Clean cycle. During this cycle add properly measured spa water chemicals into the filter compartment. The jet pump and clean icon will automatically shut off after ten minutes.

## TEMPERATURE CONTROL

The set temperature range is from 26°C to 40°C (80°F to 104°F). (The water temperature of any spa may rise or lower slightly depending on the current use and condition of your spa and on outside temperatures.)

The set temperature of the spa water will automatically be 38°C (100°F) the first time power is applied. This is the setting programmed at the factory. After the spa has been set up and used, the last temperature value set by the user will be stored in memory. If power is disconnected from the spa, it will automatically revert to the last set temperature when power is reapplied.

To display the set temperature of the spa:

Press the OPTIONS hard button on the Main Control panel.

Press the soft button next to **Temperature**. The set temperature screen will be displayed. This screen will automatically revert to the Home screen after 45 seconds of non-use.

To increase the set temperature of the spa water:

Press the OPTIONS hard button on the Main Control panel.

Press the soft button next to **Temperature**.

Press the soft button next to ▲. Each time the button is pressed, the set temperature display will increase by .5°C. If the button is held down, the set temperature display will increase by .5°C every half-second.

To decrease the set temperature of the spa water:

Press the OPTIONS hard button on the Main Control panel.

Press the soft button next to **Temperature**.

Press the soft button next to ▼. Each time the button is pressed, the set temperature display will decrease by .5°C. If the button is held down, the set temperature display will decrease by .5°C every half-second.

If the set temperature value does not change, check to see whether the TEMP LOCK or SPA LOCK features are on. When either of these features is activated, the temperature control is disabled.





# UTOPIA OPERATING INSTRUCTIONS

## LOCKING FEATURES

The two locking features, Temperature Lock and Spa Lock, are activated at the main control panel. Once activated, a lock will remain active until the specific button combination is pressed to disable the lock. Even if power to the spa is disconnected even briefly, the lock will remain activated.

### TEMPERATURE LOCK

When activated, the Temperature Lock feature prevents a change in your desired water temperature setting. All other functions on the main and auxiliary control panels will operate normally while the temperature lock is "ON". This feature prevents others from changing the desired settings.

To activate the Temperature Lock:

Press the OPTIONS hard button on the Main Control panel.

Press the soft button next to Temperature.

Press the soft button next to Temp Lock Off to change the screen to Temp Lock On.

**IMPORTANT:** The Temperature/Spa lock icon will be displayed during a temperature lock condition.

To deactivate the Temperature Lock:

Press the OPTIONS hard button at the Main Control panel.

Press the soft button next to Temperature

Press the soft button next to Temp Lock On to change the screen to Temp Lock Off and turn the Temperature lock and icon off.



### LOCK OVERRIDE

The Lock Override feature is for spa users who normally keep the set temperature locked. Should the user wish to lock all spa controls temporarily, the spa lock can be applied over an already-applied temperature lock. Then, when the spa lock is removed, the temperature lock will remain on to prevent unwanted tampering with the set temperature.

### SPA LOCK

When activated, the Spa Lock feature disables all functions on the main and auxiliary control panels. It prevents others from tampering with the jets, lights and temperature settings on your spa. The control panel will not respond to any hard or soft buttons when in Spa Lock mode.

To activate the Spa Lock:

Press the OPTIONS hard button.

Press the soft button next to Set-up.

Press the soft button next to Spa Lock Off.

**IMPORTANT:** The Temperature/Spa Lock icon will be displayed during a spa lock condition.

To deactivate the Spa Lock:

Press and hold the OPTIONS hard button and the LIGHTS hard button at the same time for 3 seconds. The spa lock will be disabled and the icon will turn off.

**IMPORTANT:** You can activate the spa lock feature even when the temperature lock is already on. You do not need to turn off the temperature lock in order to turn on the spa lock feature. If the temperature lock is already on when you activate the spa lock, it will remain on when you turn off the spa lock.



## JETS CONTROL

The JETS hard button activates the jet pump(s). When the JETS hard button is pressed, the jets menu will be displayed on the control panel with Low speed on Jet pump 1 pump turned on, the Jet Pump icon will also be displayed. Press any of the soft keys next to the description to change the jet functions between high, low speed (when available), or off.

The Jet pump icon will remain displayed until the button is pressed to turn off the jet pump(s), or after one hour of continuous operation when the pump(s) is automatically shut off by the control system.

The jet pump(s) will turn themselves off after one hour of continuous operation to prevent overheating and conserve energy. The jets can be restarted again with no delay.

You may also activate the jet pumps by pressing the JETS hard button as follows:



# UTOPIA OPERATING INSTRUCTIONS

## GENEVA, NIAGARA, TAHITIAN

|                                      |   |
|--------------------------------------|---|
| 1st Press = Pump 2 on Low            | 2nd Press = Pump 2 on High                |
| 3rd Press = Both Pumps on High speed | 4th Press = Pump 2 on Low, Pump 1 on High |
| 5th Press = Pump 1 on High           | 6th Press = Pumps off                     |

## CANTABRIA (Three pump system)

|   |  |  |
|---|--|--|
| 1st press = Pump 1 on Low                   | 2nd press = Pump 1 on High                 | 3rd press = Pump 1 on High & Pump 2 on Low |
| 4th press = Pump 1 on High & Pump 2 on High | 5th press = Pump 1 on Low & Pump 2 on High | 6th press = Pump 1 on Low & Pump 2 on Low  |
| 7th press = Pump 2 on Low                   | 8th press = Pump 2 on High                 | 9th press = Pumps Off                      |

## LOUNGE JETS (CANTABRIA MODEL ONLY)

The Lounge Jets option will only be displayed if you own a **CANTABRIA** spa. This option is used to turn the Lounge jet pump On and Off. To access **Lounge Jet** option, press the JETS hard button to enter the Jets Screen then press the soft button next to Lounge Jets to activate the Lounge jet pump. Press the soft button next to Lounge Jets a second time to deactivate.

## AIR JETS MODE

The Air Jet option allows air-only jets to operate throughout the spa when activated. To activate the air jets, press the JETS hard button to enter the Jets Screen then press the soft button next to AIR JETS to turn the jets on. The air jets icon will then be displayed. **NOTE:** The air jets icon will remain displayed while the air jets are active.

To stop the air jets press the soft button next to AIR JETS a second time to deactivate.

**NOTE:** The air jets will automatically stop after fifteen minutes.

## LIGHT CONTROL

All **UTOPIA** spas are equipped with SpaGlo® multi-zone lighting system.

Press the LIGHTS hard button to activate all lights and display the Lighting Option screen.

The LIGHTS hard button can also be used to cycle through the light zones as follows:

- 1st press: All Lights On
- 2nd press: Topside lights Off
- 3rd press: Water Feature light Off
- 4th press: Underwater lights reduce to Brightness = 2; Exterior Lights remain On
- 5th press: Underwater lights reduced to Brightness = 1; Exterior Lights remain On
- 6th press: Underwater lights reduced to Brightness = 0 (Off); Exterior Lights remain On
- 7th press: All Lights Off

The Lighting Options screen will display four different light zones: Underwater, Topside, Waterfall, and Exterior.

Press the soft button next to the lighting zone you want to adjust to enter into the submenu for that specific zone.

Once in the submenu you can turn that specific zone ON or OFF, select the color for that zone (or choose LOOP to cycle through all the colors), adjust the brightness of the color with the Dimmer function or return to the main Lighting Options menu.

Dimmer sequence is: Dimmer 3 = high light level, Dimmer 2 = medium light level, and Dimmer 1 = low light level.

Color sequence is: 1) Indigo 2) Aqua 3) Emerald 4) Gold 5) Ruby 6) Magenta 7) Loop On 8) Loop Off



# UTOPIA OPERATING INSTRUCTIONS

## ADDITIONAL FUNCTIONS

### SUMMER TIMER

Your spa is equipped with a summer timer. The summer timer can be activated during hot summer months to maintain water temperature. Activating the summer timer causes the heater to immediately shut down. The circulation pump will remain on for approximately 5 minutes pushing water through the heater to cool it down. Both heater and circulation pump will then remain off for eight hours. The summer timer icon will be displayed on the main control panel and will remain displayed for as long as the summer timer mode is on. The circulation pump and heater will automatically shut down for the same eight hours every day until the summer timer is deactivated. It is recommended to activate the summer timer in the morning so that the spa is off during the hottest part of the day and so that the circulation pump will start up again in the evening when you are ready to enjoy the spa.

**IMPORTANT:** The Summer Timer will not lower the spa's water temperature below the ambient air temperature. Ambient conditions, including humidity, wind and shading will affect your spa water temperature.

To activate the Summer Timer, simply follow these steps:

Press the OPTIONS Hard button on the Main Control panel.

Press the soft button next to **Set up**.

Press the soft button next to **Summer Timer** to activate. The Summer timer icon will display when activated.

**IMPORTANT:** If water temperature falls below 80°F (26.7°C) the summer timer will automatically be disabled.

The Summer Timer should be deactivated when cooler temperatures return. To do this, simply repeat step above. The Summer Timer icon will turn off.



### BRIGHTNESS

If you would like to change the screen brightness of the Main Control panel:

Press the OPTIONS Hard button on the Main Control panel.

Press the soft button next to **Set-up**.

Press the soft button next to **Brightness** to lower the brightness from 7 down to 1.

**IMPORTANT:** Pressing the Brightness soft button at number 1 will increase the screen brightness back to 7.

### LANGUAGE

The Main Control panel screen can be viewed in seven different languages. The languages are English, French, German, Dutch, Spanish, Swedish, and Norwegian. To change languages:

Press the OPTIONS hard button on the Main Control panel.

Press the soft button next to **Set-Up**.

Press the soft button next to **More**.

Press the soft button next to **Language** until the desired language is visible.

**IMPORTANT:** Should you accidentally change the language screen into a language you don't know, simply repeat the previous steps.



### AUTO CLEAN CYCLE

Your spa is equipped with an Auto Clean Cycle, this feature when enabled, will turn on the air jets and hydromassage jets in a preset sequence for 10 minutes every day at the same time.

To activate the Auto Clean Cycle wait for the time of day you would like the automatic feature to start, then follow the steps below:

Press the OPTIONS hard button on the Main Control panel.

Press the soft button next to **Set-Up**.

Press the soft button next to **More**.

Press the soft button next to **Auto Clean Cycle** to **On** to start the cycle. To disable the automatic daily cycle, press the soft button next to **Auto Clean Cycle** so it reads **Off**.

### AUTO EXTERIOR LIGHTS

The Automatic Light Feature allows you to set the **SPAGLO** lighting system (external sconce lights only) to activate at the same time every day and stay on for 6 hours. Wait for the time of day you would like the automatic feature to start, then follow the steps below:

Press the OPTIONS hard button on the Main Control panel.

Press the soft button next to **Set-Up**.

Press the soft button next to **More**.

Press the soft button next to **Auto Exterior Lights** to **On** to start the 6 hour light cycle. To disable the automatic light feature, press the soft button next to **Auto Exterior Lights** so it reads **Off**.

# UTOPIA OPERATING INSTRUCTIONS

## AUDIO CONTROL (OPTIONAL WIRELESS SYSTEM ONLY)

The following applies to spas that have **CALDERA** wireless sound system installed:

When the sound system has been installed on the spa, the control panel can be used to control the music system. The following information demonstrates how to navigate through the audio menu by using the spa's main control panel.

### AUDIO MENU

Once the sound system is installed, an **AUDIO** menu will be accessible from the Home screen.

To access the menu, press the soft button next to **Audio** on the Home screen.

### TO TURN AUDIO SYSTEM ON/OFF

From the AUDIO menu:

- Press the soft button next to **Audio** to turn the Sound System on or off. Audio must be ON to advance the audio screens.  
**IMPORTANT:** The power can take a few seconds to turn on or off.

### TO ADJUST VOLUME

From the AUDIO menu:

- Press the soft button next to **▲** or **▼** to change the volume level.
- Press the **Function:SET** soft button to advance to the Play/Pause function screen.

NOTE: Volume range is from 0-40. No number displayed indicates Volume is OFF

### TO PAUSE/PLAY (SONG)

From the AUDIO menu:

- Press the **Function:SET** soft button to advance to the Play/Pause function screen.
- Press the soft button next to **PLAY/PAUSE** (top right corner) to play or pause music.

### TO CHANGE TRACK (SONG)

From the AUDIO menu:

- Press the **Function:SET** soft button to advance to the Play/Pause function screen.
- Press the **Function:PLAY Play/Pause** soft button to advance to the Track function screen.
- Press the **FORWARD** or **BACK** soft buttons to change the track (song).

### TO GO TO SETUP MENU

From the AUDIO menu:

- Press the **Function:SET** soft button to advance to the Play/Pause function screen.
- Press the **Function:PLAY Play/Pause** soft button to advance to the Track function screen.
- Press the **Function:PLAY Track** soft button to advance to the Setup function screen.
- Press the **ENTER SETUP** soft button to scroll to the **SETUP SOURCE** screen.

### TO CHANGE AUDIO SOURCE

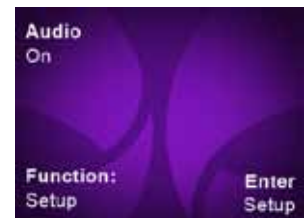
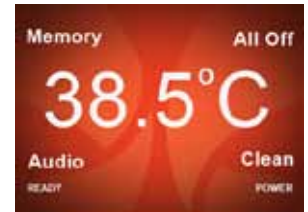
From the SETUP Source menu:

This Source screen illustrates the current audio source the spa is using, when using a wireless dock the iPod® source should be used.

- Press **▲** or **▼** soft buttons to change the desired source: **IPOD**, TV, AUX or Bluetooth®.

To use the **BLUETOOTH** screen, your audio **BLUETOOTH** device must be paired with the spa. On your device, find *My Spa*. If you do not see this on your device you may be too far away from spa. Pair your device and you will be ready to use the **BLUETOOTH**.

Audio must be On to use **BLUETOOTH** and only one paired **BLUETOOTH** device will work at a time.



# UTOPIA OPERATING INSTRUCTIONS

## TO ADJUST TREBLE

From the SETUP Source menu:

- Press **SETUP Source** soft button to advance to the SETUP Tone, Treble screen.
- Press the soft button next to ▲ or ▼ to change the Treble between -5 and +5.



## TO ADJUST BASS

From the SETUP Source menu:

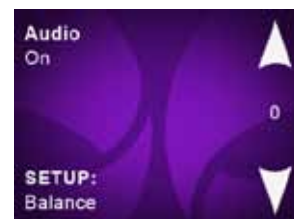
- Press **SETUP Source** soft button to advance to the SETUP Tone, Treble screen.
- Press **SETUP Tone, Treble** soft button to advance to the SETUP Tone, Bass screen.
- Press the soft button next to ▲ or ▼ to change the Bass between -5 and +5.



## TO ADJUST BALANCE

From the SETUP Source menu:

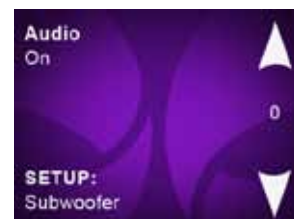
- Press **SETUP Source** soft button to advance to the SETUP Tone, Treble screen.
- Press **SETUP Tone, Treble** soft button to advance to the SETUP Tone, Bass screen.
- Press **SETUP Tone, Bass** soft button to advance to the SETUP Balance screen.
- Press the soft button next to ▲ or ▼ to change the Balance between -5 and +5.



## TO ADJUST SUBWOOFER

From the SETUP Source menu:

- Press **SETUP Source** soft button to advance to the SETUP Tone, Treble screen.
- Press **SETUP Tone, Treble** soft button to advance to the SETUP Tone, Bass screen.
- Press **SETUP Tone, Bass** soft button to advance to the SETUP Balance screen.
- Press **SETUP Balance** soft button to advance to the SETUP Subwoofer screen.
- Press the soft button next to ▲ or ▼ to change the Subwoofer Volume between 0 and 11.

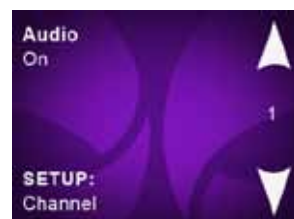


## TO CHANGE AMPLIFIER CHANNEL

**(TO MATCH WIRELESS DOCK TRANSMITTER INSIDE HOUSE IF INSTALLED)**

From the SETUP Source menu:

- Press **SETUP Source** soft button to advance to the SETUP Tone, Treble screen.
- Press **SETUP Tone, Treble** soft button to advance to the SETUP Tone, Bass screen.
- Press **SETUP Tone, Bass** soft button to advance to the SETUP Balance screen.
- Press **SETUP Balance** soft button to advance to the SETUP Subwoofer screen.
- Press **SETUP Subwoofer** soft button to advance to the SETUP Channel screen.
- Press the soft button next to ▲ or ▼ to change the Channel number from 1-5. The Channel number in the spa must match the channel number on the Transmitter in the house for the wireless system to work.



## AUXILIARY PANELS

### CANTABRIA

- JETS 1 button**  
Activates jet pump 1 and waterfall
- AIR button**  
Activates the air jets
- LIGHT button**  
Activates the interior and exterior lighting
- JETS 2 & 3 button**  
Activates jet pumps 2 and 3 and waterfall



### GENEVA • TAHITIAN • NIAGARA

- JETS 1 button**  
Activates jet pump 1
- AIR button**  
Activates the air jets
- LIGHT button**  
Activates the interior & exterior lighting
- JETS 2 button**  
Activates jet pump 2 & Waterfall



# UTOPIA OPERATING INSTRUCTIONS

## AUXILIARY CONTROL PANEL BUTTONS

The auxiliary control panel, conveniently located opposite the main control panel allows the user to activate the jets, air jets and lights.

### JETS BUTTON

There are two buttons which affect the jet pumps. Pressing any JETS button once will display the jets symbol on the main control panel display. The symbol will remain displayed until the jet pump is turned off (see chart below), or after one hour of continuous operation when the pumps are automatically shut off by the control system.

| GENEVA, NIAGARA, and TAHITIAN models: |                 |                           | CANTABRIA model: |                           |  |
|---------------------------------------|-----------------|---------------------------|------------------|---------------------------|--|
|                                       | JETS 1 button   | JETS 2 button             |                  | JETS 1 button             | JETS 2 & 3 button                                  |
| 1st press:                            | Jet pump 1 on.  | Jet pump 2 on low speed.  | 1st press:       | Jet pump 1 on low speed.  | Jet pump 2 on low speed.                           |
| 2nd press:                            | Jet pump 1 off. | Jet pump 2 on high speed. | 2nd press:       | Jet pump 1 on high speed. | Jet pump 2 on high speed.                          |
| 3rd press:                            | N/A             | Jet pump 2 off.           | 3rd press:       | Jet pump 1 off.           | Jet pump 2 on high speed/Jet pump 3 on high speed. |
|                                       |                 |                           | 4th press:       | N/A                       | Jet pump 2 on low speed/Jet pump 3 on high speed.  |
|                                       |                 |                           | 5th press:       | N/A                       | Jet pump 2 off/Jet pump 3 on high speed.           |
|                                       |                 |                           | 6th press:       |                           | Jet pump 2 & 3 off.                                |

### AIR JETS BUTTON

The "AIR" button activates the air jets. When the "AIR" button is pressed, the air symbol will illuminate on the main control panel display. The icon will remain displayed until the button is pressed to turn off the air jets, or after fifteen minutes when the air jets are automatically shut off by the control system. While the air jets system is on, air only jets are operating throughout the spa. To stop the air jets when active, simply press the "AIR" button.

### LIGHT BUTTON

The "LIGHT" button activates the SPAGLO multi-zone lighting system and controls the intensity of the light. Pressing the "LIGHT" button operates the light as follows:

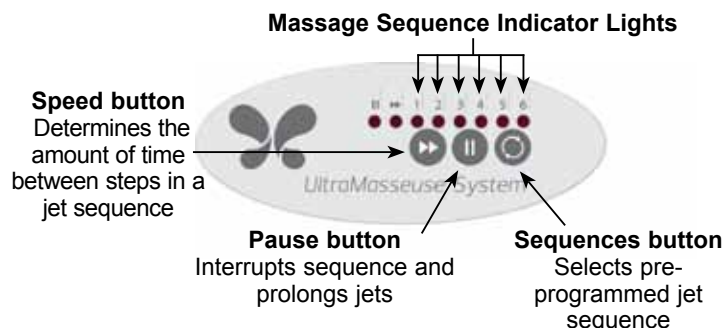
- 1st press of the "LIGHT" button: all lights on.
- 2nd press: bartop lights off.
- 3rd press: waterfall light off.
- 4th press: main light, EUPHORIA Jet, and Grab Bar lights on medium intensity; external sconce lights on full intensity.
- 5th press: main light, EUPHORIA Jet, and Grab Bar lights on low intensity; external sconce lights on full intensity.
- 6th press: main light, EUPHORIA Jet, and Grab Bar lights off; external sconce lights on full intensity.
- 7th press: all lights off.

If any lights are left on, they will automatically be turned off by the control system after six hours of continuous operation. The light icon on the control panel will also turn off when the lights are deactivated.

If the light will not turn on, make sure SPA LOCK is deactivated. SPA LOCK disables the controls on both the main and auxiliary control panel. (See the SPA LOCK section for more information on the SPA LOCK feature.)

## CANTABRIA ULTRAMASSEUSE CONTROL PANEL

The ULTRAMASSEUSE system turns on automatically in the ULTRAMASSEUSE lounge when jet pump 3 is activated. At this time, all the jets are on, and only the Speed indicator light is on. Pressing the Sequences button begins the jet massage.



# UTOPIA OPERATING INSTRUCTIONS

## ULTRAMASSEUSE CONTROL PANEL (CANTABRIA ONLY)

The **ULTRAMASSEUSE** system turns on automatically when jet pump 3 is activated. At this time, all the jets are on, and only the Speed indicator light is on. Pressing the Sequences button begins the jet massage.

### SEQUENCES BUTTON



The Sequences button controls the jet massage pattern.

The **ULTRAMASSEUSE** system is pre-programmed with six different jet sequences. Pressing the "Sequences" button once starts the first jet sequence. The corresponding indicator light will stay lit while the sequence is on. To scroll through the jet sequences, keep pressing the Sequences button within 5 seconds. To select a jet sequence, scroll through until you have found the one you want, and then release the Sequences button.

| Steps   | Sequence 1   | Sequence 2   | Sequence 3   | Sequence 4   | Sequence 5   | Sequence 6               |
|---------|--|--|--|--|--|--------------------------|
| Step 1  | Neck and Upper Back Jets<br>Lower Back and Feet Jets | Lower Back and Feet Jets<br>Leg Jets                 | Neck and Upper Back Jets<br>Leg Jets                 | Neck and Upper Back Jets                             | Neck and Upper Back Jets                             | Neck and Upper Back Jets |
| Step 2  | Lower Back and Feet Jets                             | Neck and Upper Back Jet<br>Leg Jets                  | Lower Back and Feet Jets                             | Neck and Upper Back Jets<br>Lower Back and Feet Jets | All Jets   | Lower Back and Feet Jets |
| Step 3  | Leg Jets   | Neck and Upper Back Jet<br>Lower Back and Feet Jets  | Neck and Upper Back Jets<br>Leg Jets                 | Lower Back and Feet Jets<br>Leg Jets                 | All Jets   | Leg Jets                 |
| Step 4  | Repeat Steps 1-3                                     | Neck and Upper Back Jets<br>Lower Back and Feet Jets | Lower Back and Feet Jets                             | Leg Jets   | All Jets   | Leg Jets                 |
| Step 5  |  | Neck and Upper Back Jet<br>Leg Jets                  | Neck and Upper Back Jets<br>Lower Back and Feet Jets | Leg Jets   | Neck and Upper Back Jets<br>Lower Back and Feet Jets | Lower Back and Feet Jets |
| Step 6  |  | Lower Back and Feet Jets<br>Leg Jets                 | Leg Jets   | Lower Back and Feet Jets<br>Leg Jets                 | Neck and Upper Back Jets                             | Neck and Upper Back Jets |
| Step 7  |  | Repeat Steps 1-6                                     | Neck and Upper Back Jets<br>Lower Back and Feet Jets | Neck and Upper Back Jets<br>Lower Back and Feet Jets | Repeat Steps 1-6                                     | Repeat Steps 1-6         |
| Step 8  |  |  | Neck and Upper Back Jets<br>Lower Back and Feet Jets | Neck and Upper Back Jets                             |  |                          |
| Step 9  |  |  | Lower Back and Feet Jets<br>Leg Jets                 | Repeat Steps 1-8                                     |  |                          |
| Step 10 |  |  | Neck and Upper Back Jets                             |  |  |                          |
| Step 11 |  |  | Lower Back and Feet Jets<br>Leg Jets                 |  |  |                          |
| Step 12 |  |  | Neck and Upper Back Jets                             |  |  |                          |

### SPEED BUTTON



The Speed button determines the amount of time between steps in a jet sequence. This button only functions when you have selected a sequence. The Speed indicator light corresponds to the speed chosen.

Press once: 15 seconds between each step (indicator light blinks slowly)

Press twice: 10 seconds between each step (indicator light blinks at medium speed)

Press a third time: 5 seconds between each step (indicator light blinks fast)

### PAUSE BUTTON



The Pause button will interrupt the jet sequence and prolong the current jet massage.

Press once to pause the pre-programmed jet sequence and continue the current jet activity.

Press a second time to continue the jet sequence.

# PARADISE OPERATING INSTRUCTIONS

## MAIN CONTROL PANEL

Your spa comes equipped with a control panel located on the bartop above the equipment compartment door. The control panel allows the user to set the temperature, activate the jets and lights, and access menus to lock the temperature and/or spa functions, and uses indicator lights and an integrated LED display to provide a quick visual check of the spa's status.



## MAIN CONTROL PANEL BUTTONS AND DISPLAY


Your spa control system consists of an illuminated Light Emitting Diode (LED) and convenient push buttons that allow you to set the water temperature, as well as the hydrotherapy jets, mood lighting, and optional jets from the spa control panel.

### DISPLAY INVERSION

You may invert the control panel display for easier viewing from inside the hot tub.

To invert the display the following is required: Press the "MODE ▼" & "OFF ▼" buttons simultaneously. By pressing the "MODE ▼" & "OFF ▼" buttons simultaneously a second time the screen will go back to its original display.

### TEMPERATURE CONTROL

 The set temperature range is from 26°C (80°F) to 40°C (104°F). The set temperature of the spa water will automatically be 38°C (100°F) the first time power is applied. This is the setting programmed at the factory. After the spa has been set up and used, the last temperature value set by the user will be stored in memory. If power is disconnected from the spa, it will automatically revert to the last set temperature when power is reapplied. (Temperatures of any setting may rise slightly depending on the current use and condition of your spa, and on outside temperature.)

To display the set temperature of the spa, press the "ON ▲" button. The set temperature will be displayed, unless the spa is locked (in which case the lock icon is displayed). The set temperature display will automatically return to actual temperature after five seconds. To increase the set temperature of the spa water, press the "ON ▲" button. Each time the button is pressed, the set temperature display will increment by 0.5° C. If the button is held down, the set temperature display will increase by 0.5° C every half-second.

To decrease the set temperature of the spa water, press the "OFF ▼" button. Each time the button is pressed, the set temperature display will decrement by 0.5° C. If the button is held down, the set temperature display will decrease by 0.5° C every half-second.

If the set temperature value will not change, check the TEMP LOCK and SPA LOCK features. When either of these features is applied, the temperature control is disabled.



# PARADISE OPERATING INSTRUCTIONS

## JETS BUTTON



The JETS button is used for the jet pumps. Pressing JETS button once will illuminate the jets symbol on the control panel display. The symbol will remain lit until the jet pumps are turned off, or after one hour of continuous operation when the pumps are automatically shut off by the control system.

### MAKENA, SALINA & MARTINIQUE MODELS:

- 1st press = low speed of jet pump 1
- 2nd press = high speed of jet pump 1
- 3rd press = high speed of jet pump 1 & 2
- 4th press = low speed of jet pump 1 & high speed of jet pump 2
- 5th press = high speed of jet pump 2
- 6th press = jet pumps off

### KAUAI MODEL:

- 1st press = jet pump on
- 2nd press = jet pump off

## LIGHTS BUTTON

The "LIGHTS" button activates the LED lighting system and controls its intensity. Pressing the "LIGHTS" button operates the light as follows:



- 1st press of the "LIGHTS" button: light intensity on high
- 2nd press: light intensity on medium
- 3rd press: light intensity on low

If the light is left on, it will automatically be turned off by the control system after six hours of continuous operation. The light symbol on the control panel will also turn off.

If the light will not turn on, make sure SPA LOCK is deactivated. SPA LOCK disables the controls on both the main and auxiliary control panel. (See the SPA LOCK section for more information on the SPA LOCK feature.)

## SYSTEM MODE



Your spa is equipped with a System Mode. This function will allow you to conveniently turn the jet(s) on high speed and the light on maximum intensity at the same time. If your spa is equipped with a wireless audio system it will not turn the audio on, however when the system mode is deactivated the wireless audio system will turn off.

To activate the system mode, perform the following functions:

Press the "MODE ▲" button until **SYSON** is displayed on the screen. Press the "ON ▲" button to activate the **SYSON** mode feature.

**NOTE:** Once activated, any of the functions may be changed without effecting anything else.

To deactivate the system mode, press the "MODE ▲" button until **SYSON** is displayed on the screen. Press the "OFF ▼" button to deactivate.

## CLEAN CYCLE



The Clean Cycle has been provided as a convenient timer for water maintenance. When the mode is activated, jet pump 1 will turn on and run for ten minutes (used for water maintenance). To activate the Clean Cycle, press the "MODE ▲" or "MODE ▼" button until the word **CLEAN** is displayed on the screen. Press the "ON ▲" button to activate the **CLEAN** cycle feature.

**NOTE:** The jet icon will flash on and off in the main display while the Clean Cycle is active.

To stop the Clean Cycle before the ten minutes is complete, Press the "MODE ▲" or "MODE ▼" button until the word **CLEAN** is displayed on the screen. Press the "OFF ▼" button to deactivate. **NOTE:** Pressing the JETS button will also deactivate the clean cycle.

## TOOLS MENU



The **TOOLS** menu is one of the main menus on the control panel. Within the **TOOLS** menu are five submenus, which consists of; Temp Lock, Spa Lock, Light, Summer Timer and Exit.

To enter into the **TOOLS** menu, scroll through the main menus using the "MODE ▲" or "MODE ▼" button until the **TOOLS** menu is displayed. Press the "ON ▲" button to enter into the **TOOLS** submenu, use the "MODE ▲" or "MODE ▼" button to scroll through the submenus. Once the desired submenu is displayed, press the "ON ▲" button to activate the submenu or press the "OFF ▼" button to deactivate the submenu. To leave the **TOOLS** submenu, scroll through the submenu until **EXIT** is displayed, press the "ON ▲" button to exit the submenu.

## LOCKING FEATURES

The two locking features, TEMPERATURE LOCK and SPA LOCK, are enabled from the control panel by pressing the "MODE ▲" or "MODE ▼" button until the **TOOLS** menu is displayed. Then press the "ON ▲" button to enter the **TOOLS** submenus. Use the "MODE ▲" or "MODE ▼" button to scroll through the submenus to get to the locking features. Once enabled, a lock will remain active until the specific button combination is applied to disable the lock. Even if power is disconnected from the hot tub and soon thereafter reapplied (such as in a power outage) the lock will remain in place.

# PARADISE OPERATING INSTRUCTIONS

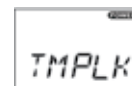
## TEMPERATURE LOCK

The TEMPERATURE LOCK feature deactivates the temperature control function of the control panel. The jet and the light functions will operate normally. TEMPERATURE LOCK is most often used by people who do not want others to tamper with or change the set temperature of the hot tub water. TEMPERATURE LOCK is a submenu of the **TOOLS** menu.

To activate the TEMPERATURE LOCK, press the "MODE ▲" button in the **TOOLS** submenu until **TMPLK** is displayed on the screen. Press the "ON ▲" button to activate the TEMPERATURE LOCK feature. The lock icon will be displayed when activated.

When the TEMPERATURE LOCK is activated, the JETS, LIGHTS and any other features your spa may have will operate normally, and the temperature setting can be viewed but can NOT be changed.

To deactivate the TEMPERATURE LOCK, press the "MODE ▲" button in the **TOOLS** submenu until the **TMPLK** with lock icon is displayed on the screen. Press the "OFF ▼" button to deactivate the TEMPERATURE LOCK feature.



## SPA LOCK

The SPA LOCK feature deactivates all of the functions of the control panel. It is generally used to prevent unwanted use of the spa. The SPA LOCK menu is a submenu of the **TOOLS** menu.

To activate the SPA LOCK, press the "MODE ▲" button in the **TOOLS** submenu until the **SPALK** symbol is displayed on the screen. Press the "ON ▲" button to activate the SPA LOCK feature. The lock icon will be displayed when activated.

When the SPA LOCK is activated, the buttons for the jets, lights, temperature control, and any other features your spa may have are deactivated. To deactivate the SPA LOCK, press the "MODE ▲" button in the **TOOLS** submenu until the **SPALK** symbol with lock icon is displayed on the screen. Press the "OFF ▼" button to deactivate the SPA LOCK feature.



## LOCK OVERRIDE

The Lock Override feature is for spa users who normally keep the set temperature locked. Should the user wish to lock all spa controls temporarily, the spa lock can be applied over an already-applied temperature lock. Then, when the spa lock is removed, the temperature lock will remain on to prevent unwanted tampering with the set temperature.

## LIGHT MENU

Your spa lights can display in a variety of different colors, different intensities as well as run through a continuous sequence of colors. The Light menu is a submenu of the **TOOLS** menu. To activate this function the following is required:

1. Press the "LIGHTS" button on the control panel to activate spa lights and the **LIGHT** menu.
2. On the control panel press the "MODE ▲" or "MODE ▼" button in the **TOOLS** submenu to scroll to the **LIGHT** menu. Press the "ON ▲" button to enter the **DIM** menu.
3. Press the "MODE ▲" button in the submenu to scroll through COLOR - LOOP - EXIT screens.
4. Press the "ON ▲" or the "OFF ▼" button in the DIM submenu to change the light intensity from brightest to off. Press the "MODE ▲" button to go from DIM to COLOR.
5. Press the "ON ▲" or the "OFF ▼" button in the COLOR submenu to change the light color. Press the "MODE ▲" button to go from COLOR to LOOP.
6. Press the "ON ▲" or the "OFF ▼" button in the LOOP submenu to change the speed of the color wheel from 3 being the fastest color sequence to no number stopping the loop (you will see a flashing light icon whenever your LOOP mode and lights are turned on). Press the "MODE ▲" button to go from LOOP to EXIT.
7. Press the "ON ▲" in EXIT to go back into the **TOOLS** Menu.

## SUMMER MODE

Your **CALDERA** spa is equipped with a Summer Mode timer. The Summer Mode timer can be activated during extremely hot summer months if it becomes difficult to maintain water temperatures low enough for comfort. When you turn on the Summer Mode timer, the heater will immediately shut down while the circulation pump (which can add heat to the water through normal operation) will remain on for approximately 5 minutes for heater cool-down. Both the heater and circulation pump will remain off for the next 8 hours. The summer mode icon on the main control panel will activate and remain active for as long as the summer mode timer is on. Following this 8-hour period, the circulation pump, heater, and ozone will continue to turn off for an 8-hour period every day that the Summer Mode timer is on. The continual 8-hour shutdown minimizes the amount of heat transferred to the spa water. When the outside temperatures begin to cool, the Summer Mode timer should be turned to the OFF position (the summer mode icon on the main control panel shuts off). This is the efficient 24-hour circulation mode that keeps the heater operation and operating costs to a minimum during colder/heavier usage months.

**IMPORTANT:** The Summer Mode will not lower the spa's water temperature below the ambient air temperature.

To activate the Summer Mode, follow these steps:

1. Set the temperature control to 26°C (80°F).
2. On the control panel press the "MODE ▼" button until the **TOOLS** menu is displayed. Then press the "ON ▲" button to enter the **TOOLS** submenus. Press the "MODE ▼" button until the **SUMMR** symbol is displayed on the screen. Press the "ON ▲" button to activate the Summer Timer mode. The Summer Mode must be deactivated when cooler temperatures return. To do this, simply follow step 3. A small sun icon (bottom left corner of the display) indicates the Summer Mode is on.
3. To shut the Summer Mode off, press the "MODE ▼" button until the **TOOLS** menu is displayed. Then press the "ON ▲" button to enter the **TOOLS** submenus. Press the "MODE ▼" button until the **SUMMR** symbol is displayed on the screen. Press the "OFF ▼" button to deactivate.



# PADADISE OPERATING INSTRUCTIONS

## AUTOMATIC CLEAN DAILY CYCLE

Your spa is equipped with a Clean Daily Cycle, this feature when enabled will turn on the jets for 10 minutes every day at the same time.

To activate the Clean Daily Cycle the follow is required:

- On the control panel press the "MODE ▼" button until the **TOOLS** menu is displayed. Then press the "ON ▲" button to enter the **TOOLS** submenus. Press the "MODE ▼" button until the **CLND** - symbol is displayed on the screen. Press the "ON ▲" button to activate the Clean Daily Cycle (**CLND +**). The jets and blower (**UTOPIA** models only) will then run in a preset sequence for 10 minutes and come on every day at the same time. During the cycle the Jets icon and blower icon (**UTOPIA** models only) will flash when on. Press the "OFF ▼" button to deactivate.

## AUDIO CONTROL (OPTIONAL WIRELESS SYSTEM ONLY)

The following applies to spas that have an optional wireless multi-source audio system installed:

When the wireless audio system has been installed on the spa, the control panel can be used to control the music system. The following information demonstrates how to navigate through the audio menu by using the spa's main control panel.

### AUDIO MENU

Once the audio system is installed, an **AUDIO** menu will be accessible on the control panel screen.

To access the menu, press the "MODE ▲" or "MODE ▼" buttons on the control panel until **AUDIO** is displayed.



### BASIC CONTROL PANEL OPERATION



To enter into a sub-menu, or to adjust the current function displayed, use the "ON ▲" or "OFF ▼" buttons.

To move to the next sub-menu use the "MODE ▲" or "MODE ▼" buttons.

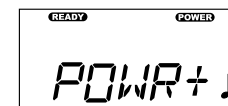
To exit from any sub-menu, press "MODE ▲" as many times as necessary until **EXIT** is displayed then press the "ON ▲" button to exit that sub-menu.

### TO TURN AUDIO SYSTEM ON/OFF

From the **AUDIO** menu:

- Press the ON ▲ button to display **POWER**.
- Press the ON ▲ button to display **POWER +** and turn the audio system ON. Press the OFF ▼ button to display **POWER -** and turn the audio system OFF. **Audio power must be ON (+) to advance to the other audio screens.**

**IMPORTANT:** The power can take a few seconds to turn on or off.

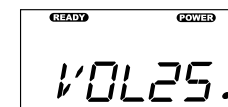


### TO ADJUST VOLUME

From the **AUDIO** menu:

- Press the ON ▲ button to display **POWER+**.
- Press the MODE ▲ button to display **VOL**.
- Press the ON ▲ button to increase volume and the OFF ▼ button to decrease volume.

NOTE: Volume range is from 1-40. No number displayed indicates Volume is OFF



### TO PAUSE/PLAY (SONG)

From the **AUDIO** menu:

- Press the ON ▲ button to display **POWER+**.
- Press the MODE ▲ button to display **VOL**.
- Press the MODE ▲ button to display **PLAY**.
- Press the ON ▲ button to enter **PLAY** mode.
- Press ON ▲ button to start or stop the song.



### TO CHANGE TRACK (SONG)

From the **AUDIO** menu:

- Press the ON ▲ button to display **POWER+**.
- Press the MODE ▲ to display **VOL**.
- Press the MODE ▲ button to display **PLAY**.
- Press the MODE ▲ to display **TRACK**
- Press the ON ▲ button to enter **TRACK** mode.
- Press either ON ▲ or OFF ▼ button to change the track (song).

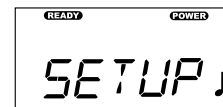


# PARADISE OPERATING INSTRUCTIONS

## TO GO TO SETUP MENU

From the AUDIO menu:

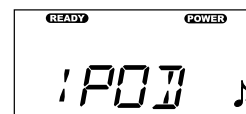
1. Press the ON ▲ button to display POWR+.
2. Press the MODE ▲ to display VOL.
3. Press the MODE ▲ to display PLAY (if iCast is installed).
4. Press the MODE ▲ to display TRACK (if iCast is installed).
5. Press the MODE ▲ button to display SETUP.



## TO CHANGE AUDIO SOURCE

From the SETUP menu:

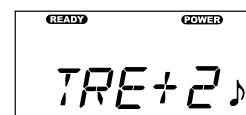
1. Press the ON ▲ button to display one of four audio sources, IPOD,TV, AUX, BLUE
2. Press the ON ▲ button to raise to the next source or press OFF ▼ button to lower to the next source. Go to the source you will be using. **NOTE:** Blue = Bluetooth®. To use the *Bluetooth* screen, your audio *Bluetooth* device must be paired with the spa. On your device, find *My Spa*. If you do not see this on your device you may be too far away from spa or your Audio Source is not set to BLUE. Pair your device and you will be ready to use the *Bluetooth*. Audio must be On to use Bluetooth. Only one paired *Bluetooth* device will work at a time.



## TO ADJUST TREBLE

From the SETUP menu:

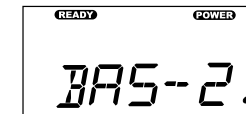
1. Press the ON ▲ button to display one of four audio sources, IPOD,TV, AUX, BLUE
2. Press the MODE ▲ button to display TRE -5 to +5.
3. Press the ON ▲ button to raise the Treble or press OFF ▼ button to lower the treble.



## TO ADJUST BASS

From the SETUP menu:

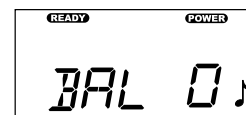
1. Press the ON ▲ button to display one of four audio sources, IPOD,TV, AUX, BLUE
2. Press the MODE ▲ to display TRE.
3. Press the MODE ▲ button to display BAS -5 to +5.
4. Press the TEMP ▲ button to raise the Bass or press OFF ▼ button to lower the Bass.



## TO ADJUST BALANCE

From the SETUP menu:

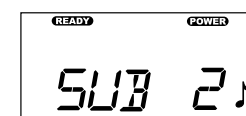
1. Press the ON ▲ button to display one of four audio sources, IPOD,TV, AUX, BLUE
2. Press the MODE ▲ button to display TRE.
3. Press the MODE ▲ button to display BAS.
4. Press the MODE ▲ button to display BAL -5 to +5.
5. Press the ON ▲ button to raise the Balance # or press OFF ▼ button to lower the Balance #.



## TO ADJUST SUBWOOFER

From the SETUP menu:

1. Press the ON ▲ button to display one of four audio sources, IPOD,TV, AUX, BLUE
2. Press the button to display TRE.
3. Press the MODE ▲ button to display BAS.
4. Press the MODE ▲ button to display BAL.
5. Press the MODE ▲ button to display SUB 0 to 11.
6. Press the ON ▲ button to raise the subwoofer # or press OFF ▼ button to lower the subwoofer #.



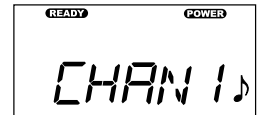
# PARADISE OPERATING INSTRUCTIONS

## ***TO CHANGE AMPLIFIER CHANNEL (TO MATCH WIRELESS DOCK TRANSMITTER INSIDE HOUSE IF INSTALLED)***

From the SETUP menu:

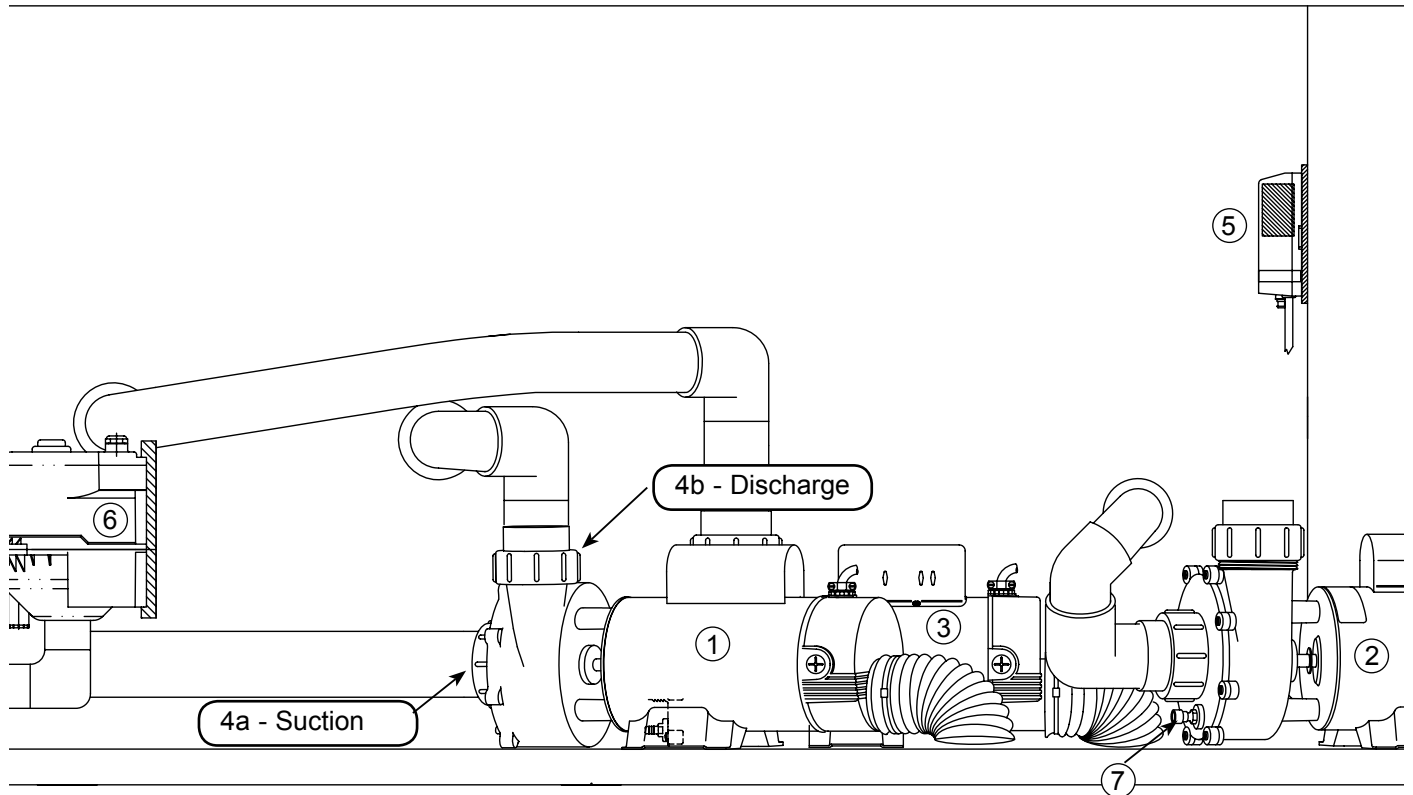
1. Press the ON ▲ button to display one of four audio sources, IPOD,TV, AUX, BLUE
2. Press the MODE ▲ button to display TRE.
3. Press the MODE ▲ button to display BAS.
4. Press theMODE ▲ button to display BAL.
5. Press the MODE ▲ button to display SUB.
6. Press the MODE ▲ button to display CHAN 1-5.
7. Press the ON ▲ button to raise the channel # or press OFF ▼ button to lower the channel #.

**NOTE:** Channel number must match Transmitter number inside house to work properly.



# EQUIPMENT COMPARTMENT

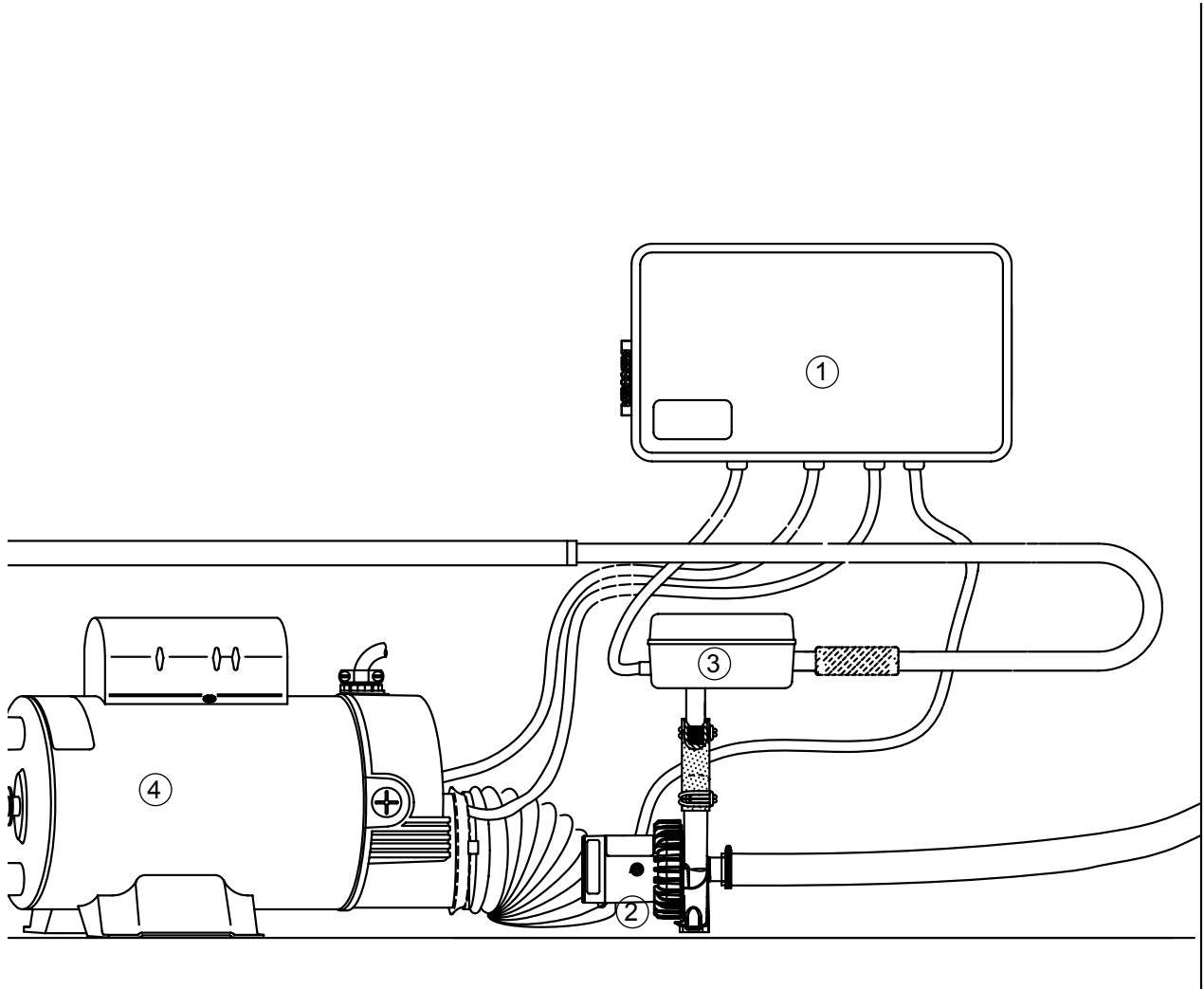
## JET PUMP SIDE CANTABRIA



1. Jet Pump
2. Jet Pump
3. Jet Pump
4. Unions - A (suction) and B (discharge)
5. **MONARCH** CD Ozone Generator
6. Air Blower
7. Pump Drain Plug

# EQUIPMENT COMPARTMENT

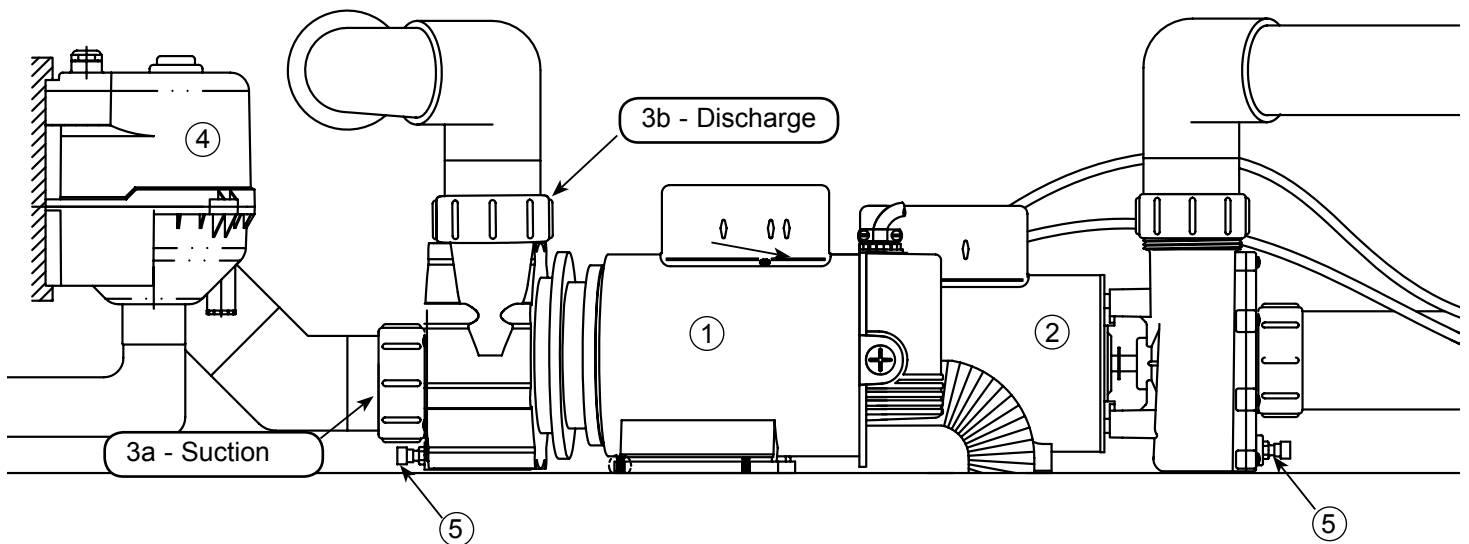
## CONTROLS SIDE CANTABRIA



1. Advent™ System Control Box
2. EnergyPro™ Circulating Pump
3. **ENERGYPRO** Heater
4. Jet Pump

# EQUIPMENT COMPARTMENT

## JET PUMP SIDE GENEVA, NIAGARA, AND TAHITIAN



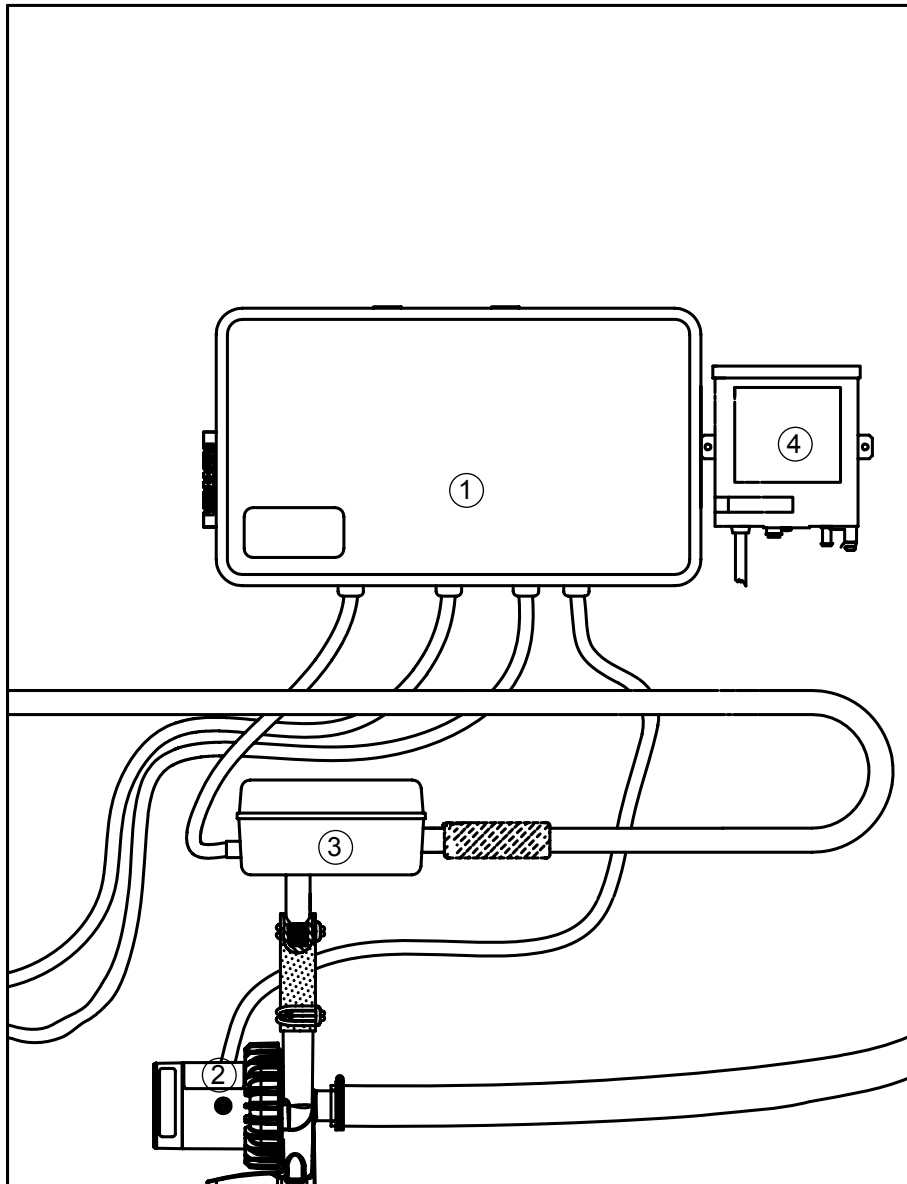
1. Jet Pump
2. Jet Pump
3. Unions - A (suction) and B (discharge)
4. Air Blower\*
5. Pump Drain Plug

\* Air Blower available on **GENEVA, NIAGARA,**  
and **TAHITIAN** spas only.



# EQUIPMENT COMPARTMENT

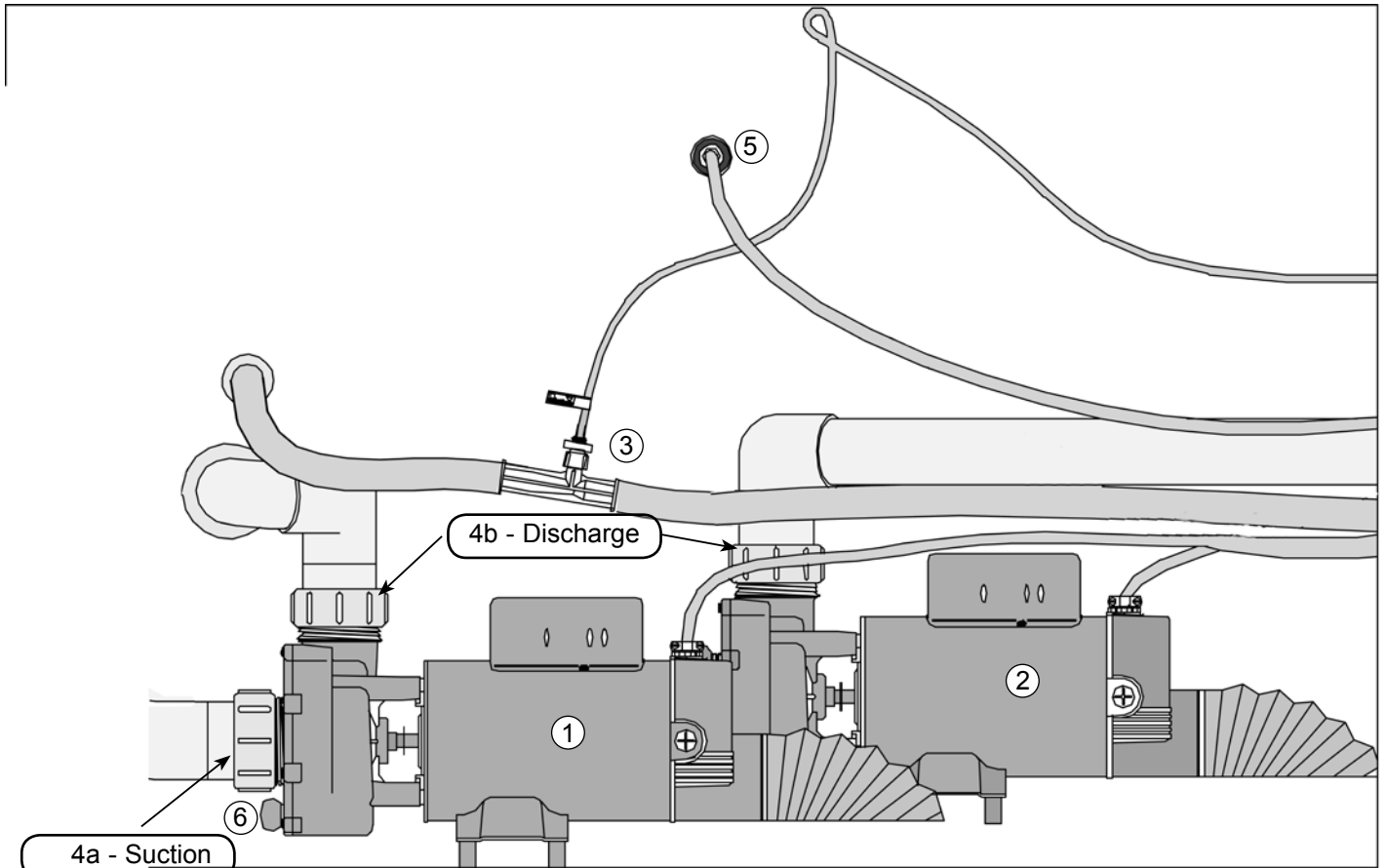
## CONTROLS SIDE GENEVA, NIAGARA, AND TAHITIAN



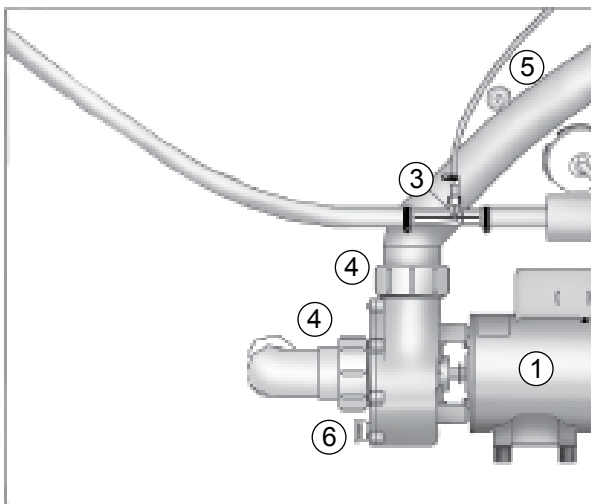
1. **ADVENT** System Control Box
2. **ENERGYPRO** Circulating Pump
3. **ENERGYPRO** Flow-Through Heater
4. **MONARCH CD** Ozone Generator

# EQUIPMENT COMPARTMENT

## JET PUMP SIDE MAKENA, SALINA, MARTINIQUE, AND KAUAI



MAKENA, SALINA and MARTINIQUE

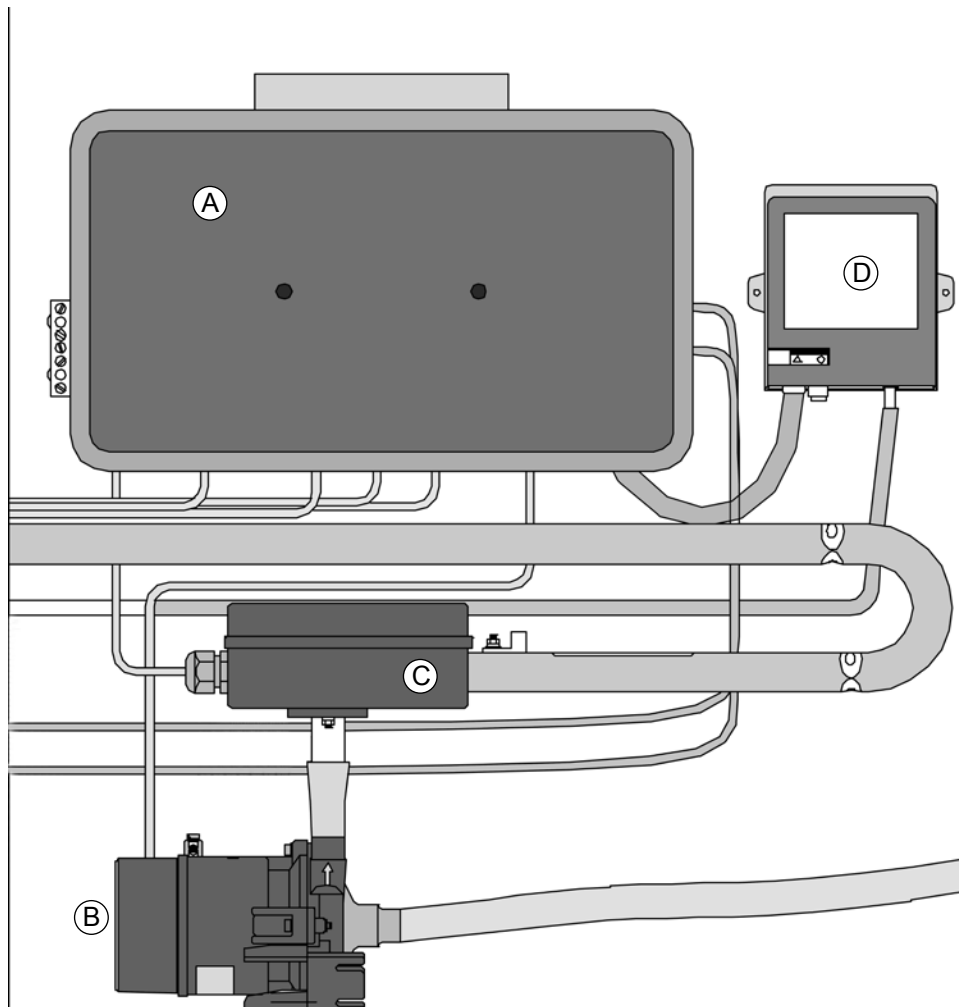


KAUAI

1. Jet Pump
2. Jet Pump (**MAKENA, SALINA & MARTINIQUE** only)
3. Ozone Injector
4. Unions
5. Temperature Sensor
6. Pump Drain Plug

# EQUIPMENT COMPARTMENT

## CONTROLS SIDE MAKENA, SALINA, MARTINIQUE, AND KAUAI



- A. **ADVENT** System Control Box
- B. **ENERGYPRO** Circulating Pump
- C. **ENERGYPRO** Heater
- D. **MONARCH** CD Ozone Generator

# MAINTENANCE

## ***FILTER MAINTENANCE***

At least once a week, check and clean the skimmer basket and weir to ensure proper filter flow. Remove leaves, foreign matter, and debris. It is very important to keep your spa filter cartridge clean and free of particles to ensure proper water flow. A clean filter permits the hydrotherapy system to function properly and also allows more efficient filter cycles. Depending on how frequently your spa is used, we recommend cleaning the spa filter cartridge every four weeks. If this is not done, the filter may clog and restrict water flow, which causes improper filtration, poor jet performance and possibly freezing.

**IMPORTANT:** The frequency and duration of use, and the number of occupants all contribute to determining the appropriate time between filter cleanings. More use means that more frequent filter cleanings will be required.

## ***FILTER CARTRIDGE REMOVAL AND CLEANING INSTRUCTIONS***

Turn the power to the spa off, then proceed as follows:

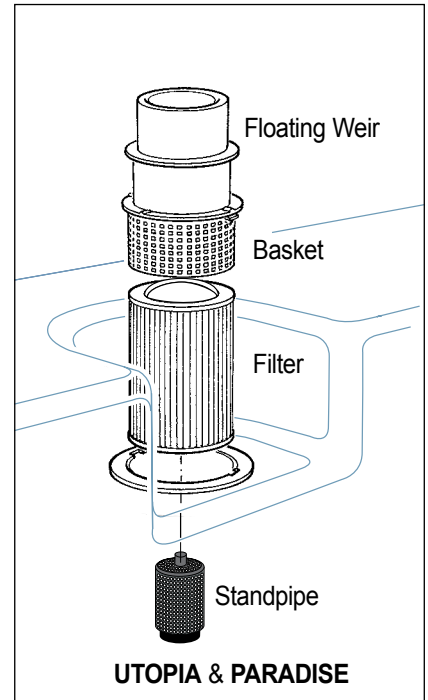
1. Push down slightly and turn filter basket counter-clockwise to unlock, then pull out the basket and weir.
2. Carefully pull up the filter cartridge and bring it out of the spa.
3. Always clean the filter using a filter degreaser to remove mineral and oil build-up. Simply soak the filter in the degreaser (according to the package directions), then place the filter on a clean surface and spray until clean using a garden hose. It may be necessary to rotate the filter while spraying to remove any debris lodged between the filter pleats.
4. To return basket and weir, insert and rotate clockwise to lock into position. Then, turn spa's power back on.

**NOTE:** Replacement filter cartridges are available from your **CALDERA** dealer. Refer to the back of this manual to determine the appropriate size for your spa.

## ***DIVERTER VALVE MAINTENANCE***

If your spa's diverter valves become difficult to turn, it is likely that sand or grit has become lodged inside the valve body. It is very important that this debris is removed as soon as possible to avoid damage to the valve. To accomplish this, follow this procedure:

1. Turn off power to the spa by tripping both GFCI breakers located in the subpanel.
2. Unscrew the cap ring to remove the diverter valve's handle as cap ring comes upward.
3. Remove the valve body by pulling it upward.
4. Wipe the valve body and the interior walls of the valve clean.
5. Lubricate the o-rings with a waterproof lubricant available from your **CALDERA** dealer.
6. Reassemble the valve and turn power to the spa on.



# MAINTENANCE

## VERSASSAGE JETS MAINTENANCE

If you notice that the **VERSASSAGE** jets spin slower than when the spa was new, or the jets are sticking, the cause could be a build-up of deposits inside the jet bearings. To remove the deposits, use the following instructions:

1. With the spa off, rotate the **VERSASSAGE** jet face counter-clockwise until it stops.
2. Once the face stops rotating, use a little extra force to rotate the face even more counter-clockwise past the locking position until it stops. Pull face with the body away from the spa.
3. After flushing the bearing inside the body with water, spin the rotating eye. It should spin very freely. If it does not, place the bearing end in a cup of vinegar (the vinegar will soften any deposits). Let it soak overnight. The next day, flush with water and repeat the spin test.

**NOTE:** If it still doesn't spin freely, then a second night of soaking is required. If the bearing still does not spin, you will have to purchase a new bearing from your **CALDERA** dealer.

4. To replace, position the cutout at the back end of the face body downward and push the face body back into the spa fitting. Slightly rotate the face body in either direction until you feel the body align with the fitting. Then press firmly on the face body. Once seated, rotate the face clockwise using a little extra force to overcome the locking position. If the face does not rotate, remove and rotate face body 180° and repeat this step. When you turn the jet pump on, the **VERSASSAGE** jet should spin freely.

## DRAINING YOUR SPA

1. Locate the main drain valve for the spa. Pull on the handle (Step 1, pliers may be used to pull handle) until you reach the mid position. Then rotate the handle slightly to fully extended the drain tube (drain cap and 1" of the drain tube is exposed) (Step 2). Remove the drain cap (Step 3).

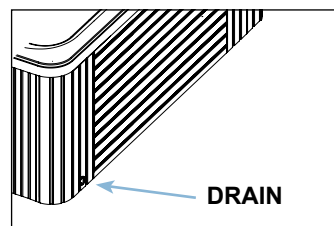
**NOTE:** Do not remove drain cap in mid position. Attach the garden hose to the end of the drain (to avoid flooding of the foundation surrounding the spa), making sure not to push the drain tube inwards. Route the outlet of the hose to an appropriate draining area.

**NOTE:** Spa water with a high sanitizer level may harm plants and grass.

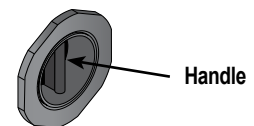
2. Push the garden hose and drain tube half the way back towards the spa (Step 4) which will start the gravitational flow. Drain tube must be in the mid position for the spa to drain.

**IMPORTANT:** All models will drain almost completely through the drain valve. Equipment such as the jet pump and heating system will drain. Any water remaining within the plumbing or equipment after draining will only need to be removed if the spa is being winterized.

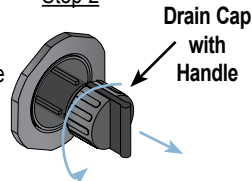
3. After your spa is empty, clean the shell and filter cartridge.
4. Pull and remove garden hose, replace the drain cap, and push drain tube back into spa as seen in Step 1.
5. Follow the "START-UP AND REFILL PROCEDURES" to refill your spa.



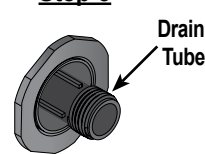
**Step 1**



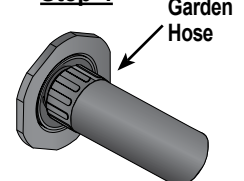
**Step 2**



**Step 3**



**Step 4**



## PREVENTION OF FREEZING

Your spa has been designed and engineered for year-round use in any climate. In some areas, extremely cold temperatures (below -12°C or 10°F) combined with strong wind, may cause partial freezing of the jet pump, even though the water inside the spa remains at the selected temperature. The energy efficiency of the spa may also decrease during these cold periods, as the heater will cycle more frequently. As an additional precaution against partial freezing of some of the components, the equipment compartment can be insulated with an insulating kit (available from your local dealer). This insulating kit will also help to maximize the spa's energy efficiency.

**NOTE:** When warmer weather returns (approx. 16°-21°C or 60-70°F), the insulating kit must be removed to prevent overheating of the jet pump.

## WINTERIZING YOUR SPA

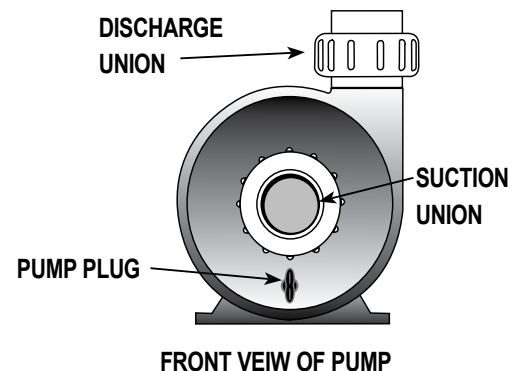
If you leave the spa unused for a long period of time in severely cold weather, you should drain the spa and winterize it to avoid accidental freezing due to a power or equipment failure. Follow the directions on the next page.

**DANGER:** Use only Propylene Glycol as your anti-freeze (available at most RV or marine supply stores). This is non-toxic. Never use an automobile anti-freeze (Ethylene Glycol) since it is toxic!

**WARNING:** Failure to follow these instructions correctly can lead to freeze damage not covered by warranty. It is strongly recommended that you contact your local dealer to perform this service.

1. Drain your spa following the Draining Your Spa section in the owner's manual.

**PUMP DRAIN PLUG LOCATION**



# MAINTENANCE

2. Remove the filter cartridge, clean and store in a dry place.  
**IMPORTANT:** These additional instructions must be utilized when draining and winterizing your spa in climates where the temperature falls below 0°C (32°F). A 19 liter (5) gallon combination (vacuum/blower) wet/dry shop vac must be used to effectively remove water that is trapped inside the plumbing lines.
3. If your spa is equipped with a blower, evacuate water from the air jet lines as follows:
  - a) Turn on the 25A breaker.
  - b) Activate the blower by pushing the air button. Once all water has been evacuated, turn off the blower.
  - c) Turn off the 25A breaker.
4. Attach the vacuum hose to the vacuum side of the shop vac. Vacuum all openings and orifices as follows:
  - a) Jet openings: start with the jets at the top and move downward (if suction is coming from another jet, block off the other jet using a large rag – this will help pull out the water that is trapped deeper inside the main line).
  - b) Filter suction fittings and filter compartment.
  - c) Main drain outlet (it may be necessary to cover the drain grate tightly with a rag when vacuuming the main drain to ensure water is drawn completely from the internal plumbing system).
5. Thoroughly dry the spa shell with a clean towel.
6. Remove pump doors by first removing the drain collar then the door screws. Once door is removed unscrew the pump drain plugs located on the front of the pump housing. Allow all water to drain out. Place the drain plugs in a ziplock bag and store near the pumps. Replace the drain plugs on Start-up.
7. Unscrew the pump unions and allow the water to drain. Loosen and remove hose attached to circulation pump to allow any remaining water from heater and spa to drain out. Replace circulation pump hose once water is drained. **NOTE:** Tighten the pump unions prior to filling the spa.
8. Replace the main drain cap.
9. Using a long-extension funnel, pour anti-freeze into all standpipes, filter suction fittings, jet orifices and water feature orifices. Also, add anti-freeze to the **FROG** canister. Add enough anti-freeze to ensure adequate protection – in many cases, you will see the liquid in the orifice, or coming out of another location.  
**CAUTION:** Use only Propylene Glycol as your anti-freeze. This is non-toxic. Never use an automobile anti-freeze (Ethylene Glycol) since it is toxic!
10. Close the spa cover and fasten the cover tie downs. Cover the spa cover with two pieces of plywood to evenly distribute the weight of snow and ice. Secure a plastic sheet, or tarp, over the spa cover and plywood.
11. Replace the equipment access door, if removed.

## OPENING INSTRUCTIONS:

1. Remove plywood and plastic sheet. Open the spa cover by unfastening the cover tie downs.
2. Follow the Start-up and Refill Procedures in the Operating Instructions section of the Owner's Manual. Do not install filters to prevent them from exposure to the anti-freeze.
3. As part of this process, superchlorinate the spa water by adding three teaspoons of chlorine (sodium dichlor) per 950 liters (250 gallons) of spa water into the filter compartment. This is twice the normal amount of chlorine needed for superchlorination. This extra amount of chlorine is needed to destroy the anti-freeze.  
**NOTE:** A defoamer may be needed to decrease the amount of foam caused by the anti-freeze.
4. Drain your spa to ensure removal of anti-freeze. Do not drain water on grass or plants due to excessive chlorine level.
5. After the spa has completely drained, re-install your filter and follow the Start-up and Refill Procedures in the Operating Instructions section of the Owner's Manual.  
**IMPORTANT:** Always keep spa covered when not in use, whether it is empty or full.

## CARE OF THE SPA PILLOWS

The spa pillows will provide years of comfort if treated with care. They have been positioned above the water level to minimize the bleaching effects of chlorinated water and other spa water chemicals. To extend their life, whenever the spa shell is being cleaned, the spa pillows should be removed and cleaned. Body oils can be removed with a mild soap and water solution. ALWAYS rinse off the spa pillows thoroughly to remove any soap residue. If the spa is not going to be used for a long period of time (that is during a vacation or if the spa is winterized), or when the spa water is being super-chlorinated, the spa pillows should be removed until the next use of the spa.

## TO REMOVE AND REPLACE THE SPA PILLOWS:

1. Carefully lift one end of the pillow away from the spa shell.
2. Continue lifting one end until all pillow retainers are released from the pillow.  
**IMPORTANT:** Just pulling the pillow straight up and out of the shell recess will eventually damage the pillow. This abuse is not covered under warranty.
3. To reinstall the spa pillow, carefully bend the pillow slightly to allow one of the pillow retainers to slip into the recess in the back of the pillow.
4. Keeping the pillow slightly bent, slide the other pillow retainer into the recess in the back of the pillow.
5. After all the pillow retainers are in place, press the pillow down into the recess in the spa shell.

# MAINTENANCE

## CARE OF THE EXTERIOR

### SPA SHELL

Your **CALDERA** spa has an acrylic shell. Stains and dirt generally will not adhere to your spa's surface. A soft rag or a nylon scrubber should easily remove most dirt. Most household chemicals are harmful to your spa's shell (see below for detailed information on cleaning agents). Always rinse off any spa shell cleaning agent with fresh water.

#### IMPORTANT:

1. The following products are the **ONLY** approved cleaning agents for your **CALDERA** spa shell: plain water, **CALDERA** Spa Shine, Brillianize® or Soft Scrub®. The use of alcohol or any other household cleaner other than those listed to clean the spa shell surface is **NOT** recommended. **DO NOT** use any cleaning products containing abrasives or solvents since they may damage the shell surface, specifically: Simple Green®, Windex® or Spa Mitt. **NEVER USE HARSH CHEMICALS!** Damage to the shell by use of harsh chemicals is not covered under the warranty. Always rinse off any spa shell cleaning agent with fresh water.
2. Iron and copper in the water can stain the spa shell if allowed to go unchecked. Ask your **CALDERA** dealer about a Stain and Scale Inhibitor to use if your spa has a high concentration of dissolved minerals. (Watkins recommends Stain & Scale Defense.)
3. Keep all cleaners out of the reach of children and use care when applying.

### SPA SKIRT

When cleaning the skirt of your spa, use only a soft cloth or sponge with a mild soap and water solution. The use of an abrasive type cleaner or applicator will be harmful to the exterior finish. Always thoroughly rinse off the spa skirt with fresh water.

## CARE OF THE SPA COVER

⚠ **WARNING:** The cover is a manual safety cover that meets or exceeds all prevailing requirements of ASTM Standards for spa safety covers when installed and used correctly as of the date of manufacture. Non-secured or improperly secured covers are a hazard. Open the cover to its fully open position before use.

### VINYL COVER

The vinyl spa cover is an attractive, durable foam insulation product. Monthly cleaning and conditioning are recommended to maintain its beauty.

#### TO CLEAN AND CONDITION THE VINYL COVER:

1. Remove the cover from the spa and gently lean it against a wall or fence.
2. With a garden hose, spray the cover to loosen and rinse away dirt or debris.
3. Using a large sponge and/or a soft bristle brush, and using a very mild soap solution (one teaspoon dishwashing liquid with 7.5 liters of water) or baking soda (sodium bicarbonate), scrub the vinyl top in a circular motion. Do not let the vinyl dry with a soap film on it before it can be rinsed clean.
4. Scrub the cover's perimeter and side flaps. Rinse clean with water.
5. Rinse off the underside of the cover with water only (use no soap), and wipe it clean with a dry rag.

**SERVICE NOTE:** To remove tree sap, use cigarette lighter fluid (not charcoal lighter fluid). Use sparingly, and rinse with a saddle soap solution immediately afterwards, then wipe dry.

#### IMPORTANT REMINDERS:

- **DO** remove snow buildup to avoid breakage of the foam core from the additional weight of the snow.
- **DO** lock cover lock straps to secure the cover when the spa is not in use.
- **DO NOT** drag or lift the spa cover using either the flaps or the cover lock straps.
- **DO NOT** walk, stand, or sit on the cover.
- **DO NOT** place any metal or heat transferring object on the cover or place any type of plastic tarp or drop cloth over the cover as this may result in a melted foam core, which would not be covered under the warranty.
- **DO NOT** use any lifting mechanisms, chemicals or cleaners except those recommended by Watkins Manufacturing Corporation or an Authorized Sales and Service Dealer.

# WATER QUALITY AND MAINTENANCE

## WATER TERMINOLOGY

The following chemical terms are used in this Water Quality and Maintenance section. Understanding their meaning will help you to better understand the water maintenance process.

**Bromamines:** Compounds formed when bromine combines with nitrogen from body oils, urine, perspiration, etc. Unlike chloramines, bromamines have no pungent odor and are effective sanitizers.

**Bromine:** A halogen sanitizer that is commonly used in stick, tablet, or granular form. The **FROG** sanitizing system is the only solid bromine-approved system. See the DO's and DON'Ts of Spa Water Maintenance for additional information. Granulated bromine, although an acceptable sanitizer, should not be used with ozone.

**Calcium Hardness:** The amount of dissolved calcium in the spa water. This should be approximately 50-150 ppm. High levels of calcium can cause cloudy water and scaling. Low levels can cause harm to the spa equipment.

**Chloramines:** Compounds formed when chlorine combines with nitrogen from body oils, urine, perspiration, etc. Chloramines can cause eye irritation as well as having a strong odor. Unlike bromamines, chloramines are weaker, slower sanitizers.

**Chlorine:** An efficient sanitizing chemical for spas. Watkins Manufacturing Corporation recommends the use of sodium dichlor-type granulated chlorine. This type is preferred because it is totally soluble and nearly pH neutral.

**Chlorine (or Bromine) Residual:** The amount of chlorine or bromine remaining after chlorine or bromine demand has been satisfied. The residual is, therefore, the amount of sanitizer which is chemically available to kill bacteria, viruses and algae.

**Corrosion:** The gradual wearing away of metal spa parts, usually caused by chemical action. Generally, corrosion is caused by low pH or by water with levels of TA, CH, pH or sanitizer which are outside the recommended ranges.

**DPD:** The preferred reagent used in test kits to measure the Free Available Chlorine.

**Halogen:** Any one of these five elements: fluorine, chlorine, bromine, iodine, and astatine.

**MPS:** Monopersulfate is a non-chlorine oxidizer.

**Oxidizer:** The use of an oxidizing chemical is to prevent the buildup of contaminants, maximize sanitizer efficiency, minimize combined chlorine and improve water clarity.

**Ozone:** Ozone is a powerful oxidizing agent which is produced in nature and artificially by man. Ozone forms no by-products of chloramines (ozone actually oxidizes chloramines) and will not alter the water's pH. **NOTE: It is not recommended to use granulated bromine with ozone.**

**Pathogen:** A microorganism such as bacterium that cause disease.

**pH:** The measure of the spa water's acidity and alkalinity. The recommended pH for the spa water is 7.2 to 7.6. Below 7.0 (considered neutral), the spa water is too acidic and can damage the heating system. Above 7.6, the water is too alkaline and can result in cloudy water, and scale formation on the shell and heater.

**ppm:** The abbreviation of "parts per million", the standard measurement of chemical concentration in water. Identical to mg/l (milligrams per liter).

**Reagent:** A chemical material in liquid, powder, or tablet form for use in chemical testing.

**Sanitizer:** Sanitizers are added and maintained at recommended residuals to protect bathers against pathogenic organisms which can cause disease and infection in spa water.

**Scale:** Rough calcium-bearing deposits that can coat spa surfaces, heaters, plumbing lines and clog filters. Generally, scaling is caused by mineral content combined with high pH. Additionally, scale forms more readily at higher water temperatures.

**Shock Treatment:** Also known as "super-chlorination" when chlorine is used. Shock treatment is a process of adding significant doses of a quick dissolving sanitizer (sodium dichlor is recommended) to oxidize non-filterable organic waste and to remove chloramines and bromamines.

**Total Alkalinity:** The amount of bicarbonates, carbonates, and hydroxides present in spa water. Proper total alkalinity is important for pH control. If the TA is too high, the pH is difficult to adjust. If the TA is too low, the pH will be difficult to hold at the proper level. The desired range of TA in spa water is 40 to 120 ppm.

## GENERAL INFORMATION

### THE THREE FUNDAMENTAL AREAS OF WATER MAINTENANCE:

- WATER FILTRATION
- CHEMICAL BALANCE/PH CONTROL
- WATER SANITATION

Water Sanitation is the responsibility of the spa owner. To properly sanitize the spa, Watkins highly recommends the **FROG** water care system. This system will chemically control the bacteria and viruses present in the fill water or introduced during use of the spa. Bacteria and viruses can grow quickly in undersanitized spa water.

The water's chemical balance and pH control are also the responsibility of the spa owner. You'll have to add chemicals to maintain proper levels of Total Alkalinity (TA), Calcium Hardness (CH) and pH. Proper water balance and pH control will minimize scale buildup, extend the life of the spa, and allow the sanitizer to work at an optimum level.



# WATER QUALITY AND MAINTENANCE

## METHODS FOR TESTING THE SPA WATER

Accurate water testing and analysis is an important part of effectively managing your spa water. You must have the ability to test for:

- Total Alkalinity (TA)
- Calcium Hardness (CH)
- pH
- Sanitizer

Two types of testing methods are recognized and recommended by Watkins Manufacturing Corporation:

1. **The Reagent Test Kit** is a method which provides a high level of accuracy. The reagents come in either liquid or tablet form.
2. **Test Strips** are a convenient testing method used by many spa owners. Keep in mind that test strips are susceptible to heat and moisture contamination, which will result in inaccurate readings.

**IMPORTANT:** Always read and carefully follow the directions included with the Test Kit or Test Strips to ensure the accuracy of the test results.

## BASIC CHEMICAL SAFETY

When using chemicals, read the labels carefully and follow directions precisely. Though chemicals protect you and your spa when used correctly, they can be hazardous in concentrated form. Always observe the following guidelines:

- Allow only a responsible person to handle spa chemicals. **KEEP THEM OUT OF THE REACH OF CHILDREN.**
- Accurately measure the exact quantities specified, never more. Do not overdose your spa.
- Handle all containers with care. Store in a cool, dry, well ventilated place.
- Always keep chemical containers closed when not in use. Replace caps on their proper containers.
- Don't inhale fumes or allow chemicals to come in contact with your eyes, nose, or mouth. Wash your hands immediately after use.
- Follow the emergency advice on the product label in case of accidental contact, or if the chemical is swallowed. Call a doctor or the local Poison Control Center. If a doctor is needed, take the product container along with you so that the substance can be identified.
- Don't let chemicals get on surrounding surfaces or landscaping.
- Don't use a vacuum cleaner to clean up chemical spills.
- Never smoke around chemicals. Some fumes can be highly flammable.
- Don't store any chemicals in the spa equipment compartment.

## HOW TO ADD CHEMICALS TO THE WATER

**IMPORTANT:** All spa water chemicals, including granulated dichlor, MPS (monopersulphate) granulated pH increaser or decreaser, granulated total alkalinity increaser, calcium hardness increaser, liquid stain and scale inhibitor, and liquid de-foamer must always be added directly into or in front of the filter compartment while the jet pump is running, and it must run for a minimum of ten minutes.

## TO ADMINISTER SPA WATER CHEMICALS:

1. Fold back the cover. Carefully remove and set aside the filter compartment cover (if applicable).
2. Press "MODE ▲" or "MODE ▼" button on **PARADISE** spas main control panel until CLEAN is displayed, then press "ON ▲" to turn the Clean cycle on. Press the soft button next to **Clean** on the home screen on **UTOPIA** spas to turn on the Clean cycle.
3. Carefully measure the recommended amount of chemical and slowly pour it into or in front of the filter compartment. Use care not to splash chemicals on your hands, in your eyes, on the spa shell surface or on the siding.
4. Replace the filter compartment cover (if applicable). After ten minutes, shut off the jet pump(s) and close and lock the cover to complete the procedure. **Risk of Drowning:** Never leave an open spa unattended!

⚠ **WARNING:** High sanitizer levels can cause discomfort to the user's eyes, lungs and skin. Always allow the sanitizer level to fall to the recommended range before using the spa.

**IMPORTANT "SUPER CHLORINATION/NON-CHLORINE SHOCK TREATMENT" NOTE:** After administering a super chlorination treatment or non-chlorine shock to your spa, leave the cover open for a minimum of 20 minutes to allow the oxidizer gas to vent. A high concentration of trapped oxidizer gas which may exist as a result of the shock treatment (not daily sanitation) may eventually cause discoloration or vinyl degradation to the bottom of the cover. This type of damage is considered chemical abuse and is not covered under the terms of the limited warranty.

## THE WATKINS SPA WATER MAINTENANCE PROGRAM

Each step in your water maintenance program is dependent on the completion of the previous steps. Omitting a step or failing to reach the recommended range may cause an imbalance in your water's chemistry. Unbalanced water chemistry can damage the spa and its components, as well as cause discomfort for the user.

## BALANCING THE TOTAL ALKALINITY (TA)

- A. The recommended Total Alkalinity (TA) for your spa water is 40-120 ppm.
- B. TA is a measure of the total levels of carbonates, bicarbonates, hydroxides, and other alkaline substances in the water. TA is referred to as the water's "pH buffer". In other words, it's a measure of the ability of the water to resist changes in pH level.

# WATER QUALITY AND MAINTENANCE

- C. If the TA is too low, the pH level will fluctuate widely from high to low. Fluctuations in pH can cause corrosion or scaling of the spa components. **Low TA can be corrected by adding sodium hydrogen carbonate (pH/Alkalinity Up).**
- D. If the TA is too high, the pH level will tend to be high and may be difficult to bring down. **It can be lowered by using sodium bisulfate(pH/Alkalinity Down).**
- E. Once the TA is balanced, it normally remains stable, although the addition of more water with a high or low alkalinity will raise or lower the TA reading of the water.
- F. When the TA is within the recommended range, proceed to the next step.

## **BALANCING THE CALCIUM HARDNESS (CH)**

- A. The recommended Calcium Hardness (CH) level for your spa is 50-150 ppm.
- B. CH is a measure of the total amount of dissolved calcium in the water. Calcium helps control the corrosive nature of the spa's water. That's why calcium-low water (commonly known as "soft" water) is not recommended. It is very corrosive to the equipment, and can cause staining of the spa shell.
- C. If the CH is too high (commonly known as "hard water"), formation of scale on the spa's shell surface and equipment can result. **CH can be decreased by dilution—a mixture of 75% hard and 25% soft water will usually yield a reading within the correct range.** If soft water is not available or practical for you, a stain and scale inhibitor should be added to the spa water, according to label instructions.
- D. If the CH is too low add CH Increaser.
- E. Once the CH is balanced, it normally remains stable, although the addition of more water with a high or low calcium content will raise or lower the CH reading of the water.
- F. When the CH is within the recommended range, proceed to the next step.

## **BALANCING THE pH**

- A. The ideal pH level for your spa water is 7.2-7.6.
- B. The pH level is the measure of acidity and alkalinity. Values above 7.6 are alkaline; those below 7.2 are acidic. Maintaining the proper pH level is extremely important for:
  - Optimizing the effectiveness of the sanitizer.
  - Maintaining water that is comfortable for the user.
  - Preventing equipment deterioration.
- C. If the spa water's pH level is too low, the following may result:
  - The sanitizer will dissipate rapidly.
  - The water may become irritating to spa users.
  - The spa's equipment may corrode.

|  |            |   |
|--|------------|---|
| <b>ALKALINE SPA WATER<br/>(SCALING ZONE)</b> | <b>8.2</b> | <b>ADD pH DECREASER<br/>TO LOWER pH</b> |
|  | <b>7.8</b> |   |
| <b>COMFORT ZONE</b>                          | <b>7.6</b> | <b>IDEAL</b>                            |
|  | <b>7.4</b> |   |
|  | <b>7.2</b> |   |
| <b>ACIDIC SPA WATER<br/>(CORROSIVE ZONE)</b> | <b>6.8</b> | <b>ADD pH INCREASER<br/>TO RAISE pH</b> |
|  | <b>pH</b>  |   |

**If the pH is too low, it can be increased by adding sodium hydrogen carbonate (pH/Alkalinity Up) to the spa water.**

- D. If the pH level is too high, the following may result:
  - The sanitizer is less effective.
  - Scale will form on the spa shell surface and the equipment.
  - The water may become cloudy.
  - The filter cartridge pores may become obstructed.

**If the pH is too high, it can be decreased by adding sodium bisulfate (pH/Alkalinity Down) to the spa water.**

**NOTE:** After adding sodium hydrogen carbonate, or sodium bisulfate, **wait two hours** before testing the water for pH. Measurements taken too soon may not be accurate.

- E. It is important to check the pH on a regular (weekly) basis. The pH will be affected by the bather load, the addition of new water, the addition of various chemicals, and the type of sanitizer used.
- F. When the pH is within the recommended range, proceed to the final step.

## **MAINTAINING THE SANITIZER LEVEL**

- A. Sanitizer is extremely important for killing algae, bacteria and viruses, and preventing unwanted organisms from growing in the spa. At the same time, you don't want too high a sanitizer level, or it can irritate your skin, lungs and eyes.
- B. Always maintain the sanitizer level in your spa at the recommended level.
- C. Watkins recommends the following sanitizer:
  - **FROG** sanitizing system (mineral and bromine)
- D. Watkins also approves the following sanitizers:
  - Sodium Dichloro-s-Triazinetrione (sodium dichlor or chlorine)
  - Biguanide

⚠ **WARNING:** DO NOT use tri-chlor chlorine, bromo-chloro-dimethyl-hydantoin (BCDMH), or any type of compressed bromine or chlorine, acid or any type of sanitizer which is not recommended by Watkins Manufacturing Corporation.

# WATER QUALITY AND MAINTENANCE

## THE WATKINS WATER MAINTENANCE QUICK REFERENCE GUIDE

| Steps              | Ideal Range (ppm)                              |      | What Chemicals to Use                           |   |
|--------------------|--|------|---|---|
|                    | Min.   | Max. | To Raise  | To Lower  |
| 1 Total Alkalinity | 40   | 120  | Sodium Hydrogen Carbonate or Sodium Bicarbonate | Sodium Bisulfate  |
| 2 Calcium Hardness | 50   | 150  | Calcium Hardness Increaser                      | Use a mixture of 75% hard water and 25% soft water or use a Stain and Scale Inhibitor |
| 3 pH               | 7.2  | 7.6  | Sodium Hydrogen Carbonate                       | Sodium Bisulfate  |
| 4 Sanitizer        | See section on Maintaining the Sanitizer Level |      |   |   |

## FROG WATER CARE SYSTEM

The FROG Water Care system is comprised of the following products:

The FROG mineral cartridge that introduces minerals into the spa water, inhibiting bacteria growth. When combined with MONARCH MPS and MPS Plus, it oxidizes particulates in the spa water.

- The FROG Bromine (BCDMH) is the only recommended sanitizer that will work in conjunction with the FROG mineral cartridge in this system.
- MONARCH MPS Plus Non-Chlorine Shock (MPS/Monopersulfate) is an oxidizing chemical used to prevent the buildup of contaminants, maximize sanitizer efficiency, and improve water clarity.
- MONARCH Corona Discharge (CD) Ozone Generator (optional on select spas) - The MONARCH high output ozone system is the only ozone purification system approved for installation in your CALDERA Spa. The MONARCH ozone system utilizes CD technology to produce a higher concentration of ozone than is produced by competing chip style CD or ultraviolet light ozone systems.

**NOTE: Refer to your FROG owner's manual for start-up and operation instructions. The owner's manual is included with the FROG starter kit.**

It is important to follow the recommended application and maintenance programs outlined for each product's use. If the spa is being used over an extended period or time, such as a whole afternoon or evening, additional sanitizer will be needed.

A weekly "shock treatment" is required. The shock treatment quickly destroys any remaining contaminants while revitalizing the bromine in the water.

To weekly "shock treat" your spa, we recommend that you use either MONARCH MPS Plus (sodium dichlor may also be used). Sodium dichlor may be a more appropriate weekly shock for those users that experience heavy bather load conditions.

**IMPORTANT NOTE:** MONARCH MPS Plus is an oxidizer, not a sanitizer.

## FROG CARTRIDGE REPLACEMENT INSTRUCTIONS

The FROG bromine cartridge should be replaced every 2-4 weeks, depending on User Load. The FROG mineral cartridge should be replaced every 4 months. When replacing the mineral cartridge, it is highly recommended that the spa be drained and refilled at the same time. After refilling the spa with water, balance the Total Alkalinity (TA), Calcium Hardness (CH) and pH to the recommended levels. Shock the spa by adding MONARCH MPS Plus non-chlorine shock.

To replace FROG cartridges, follow these steps:

1. Turn off power to the spa
2. Unscrew FROG cap on top edge of spa
3. Turn handle counter-clockwise
4. Lift cartridge holder up and out of spa
5. Remove and discard old cartridges
6. Turn top cap of new Mineral cartridge to setting #6 (evaluate water in 1 week and adjust as necessary).
7. Turn top cap of new Bromine cartridge to setting #6 (measure Bromine with Bromine Test Strip in 1 week and adjust as necessary).
8. Snap bromine cartridge into the bottom of holder and snap mineral cartridge into the top  
**IMPORTANT:** It is important that the bromine cartridge is on the bottom; otherwise, the bromine cartridge could dispense prematurely.
9. Reinstall cartridge holder into spa, push down, and twist clockwise.
10. Replace FROG cap
11. Reconnect power to the spa

**Warning:** High sanitizer levels can cause discomfort to the user's eyes, lungs and skin. Always allow the sanitizer level to fall to the recommended range before using the spa.

# WATER QUALITY AND MAINTENANCE

| <b>WATKINS WATER TREATMENT GUIDE</b>   |  |
|--|--|
| <b>At spa startup or refill</b>  | Follow spa Start-Up and Refill Procedures.   |
| <b>Prior to each use</b><br>(Test before adding any chemicals; do not add any chemicals if proper or higher levels are found.) | Add one (1) tablespoon of <b>MONARCH MPS Plus</b> (monopersulfate)* per 950 liters.                      |
| <b>Once a week</b>   | Add three (3) tablespoon <b>MONARCH MPS Plus</b> (monopersulfate)* per 950 liters.                       |
| <b>Every four months</b>   | Drain spa, replace mineral cartridge, and refill your spa.<br>Follow spa Start-Up and Refill Procedures. |
| <b>If needed</b><br>(If water is hazy, cloudy or has an odor)  | Add one and one half (1-1/2) teaspoons of sodium dichlor per 950 liters, as needed.                      |

\* **MONARCH MPS Plus** is an oxidizer, not a sanitizer

## **FOLLOWING THE FROG SANITIZER ROUTINE**

During the first month of ownership, measure the sanitizer residual daily in order to establish the correct setting on cartridges for User Load and Usage Time versus Sanitizer Needed.

- The User Load of the spa is the number of times anyone enters the spa.
- The Usage Time is simply the amount of time a user spends in the spa.
- Sanitizer Needed is the amount needed to accommodate the number of users and their combined usage time.

For example, two spa users who regularly use the spa once an evening for twenty minutes create a specific and somewhat consistent demand on the sanitizer. During the first month of ownership, these two users can determine exactly how much sanitizer to use in order to maintain the proper residual. If, at any time, the user load and/or usage pattern changes dramatically (i.e. invited guests), the amount and frequency of sanitizer required increases dramatically. The greater the usage time, or the bather load, the faster the residual value is diminished.

## **DOS AND DON'TS**

- **DO check your bromine chemical level prior to each use.**
- **DO change the FROG mineral cartridge every 4 months.**
- **DO test Total Alkalinity and pH weekly.**
- **DO use MONARCH MPS Plus non-chlorine (Monopersulfate) oxidizer for spas only.**
- **DO store all chemicals in a tightly sealed container in a cool, dry place.**
- **DON'T use sodium bromide or biguanides. These are active sanitizers and will combine with the silver ions to inactivate them.**
- **DON'T use a water clarifier; Clarifiers will cause the spa water to become cloudy.**
- **DON'T use the MONARCH silver cartridge with FROG.**
- **DON'T use use granulated bromine with ozone.**

## **BROMINE**

- Sanitizing chemicals, such as bromine, are oxidants that kill bacteria and viruses in the water. If you are using the **FROG** system, the recommended bromine level for your spa water is 1.0 - 2.0 ppm. **If you are not** using the **FROG** system, your bromine level should be between 3 - 5 ppm.
- Watkins Manufacturing Corporation recommends the **FROG** bromine cartridge for sanitizing the water. **If not using FROG** bromine cartridge, granulated bromine is preferred because it is totally soluble, dissolves quickly, and is nearly pH neutral.  
**NOTE: It is not recommended to use granulated bromine with ozone.**
- Maintaining the proper level of bromine during use is extremely important.
- If the bromine level is too low, bacteria and viruses can grow rapidly in the warm water.
- If the bromine level is too high, the water can cause discomfort to the user's eyes, lungs and skin. **Simply allow some time to pass.**
- When the bromine level is within the recommended range, the spa is ready to be enjoyed.

## **SUPER CHLORINATION**

Super Chlorination is designed to "burn-off" the build-up of chloramines (used chlorine), to eliminate the chlorine smell and to allow the proper level of free chlorine to be maintained.

# WATER QUALITY AND MAINTENANCE

When giving your water a super chlorination treatment, open the cover at least half way for twenty minutes to allow the chlorine gas to vent off. The high concentration of chlorine gas which may exist as a result of super chlorination (not daily sanitation) may eventually cause discoloration or degradation to the bottom of the cover, which would not be covered under the terms of your warranty.

**⚠ WARNING:** There are several forms of stabilized chlorine available for use in spas and swimming pools and each form has specific chemical characteristics. It is extremely important that the one you choose is specifically designed for use in spas. Use of an incorrect product such as tri-chlor, which has a very low pH (2.6), dissolves too quickly in hot water resulting in extremely high levels of chlorine, and is designed for concrete or plaster swimming pools, **WILL** cause damage to your spa. Use of a liquid, or any type of compressed bromine or chlorine, acid or any type or sanitizer which is not recommended by Watkins Manufacturing Corporation **WILL** damage your spa and is specifically not covered under the terms of the limited warranty.

**IMPORTANT:** Granulated chlorine (sodium dichlor) will degrade if stored improperly. We recommend purchasing chlorine in one, two, or five pound containers and storing it in a cool, dry place to maintain its potency.

**IMPORTANT:** Always allow the Free Available Chlorine to fall below 5 ppm before using the spa.

**WARNING:** Never leave an open spa unattended, especially if there are children present!

| CHLORINE DPD TEST KIT OR TEST STRIP READING | DO NOT USE THE SPA UNTIL THE TEST KIT READING IS BELOW THIS LEVEL |
|---|---|
| 5.0   | RECOMMENDED LEVEL<br><b>SAFE</b>                                  |
| 4.0   |   |
| 3.0   |   |
| ADD CHLORINE                                |   |
| 2.0   | DO NOT USE SPA; ADD CHLORINE TO REACH RECOMMENDED SAFE LEVEL      |
| 1.0   |   |
| 0   |   |

## SUPPLEMENTAL WATER MAINTENANCE

Proper water sanitation and mineral balance (pH control) are absolutely essential for a complete spa water maintenance program. Here are three other popular water additives that are optional:

### MINERAL DEPOSIT INHIBITORS

As water evaporates from your spa and new water is added, the amount of dissolved minerals will increase. (Minimize evaporation by keeping the cover on the spa whenever possible.) The spa water may eventually become "hard" (Calcium Hardness too high) enough to damage the heater by calcifying its surface. Proper pH control can minimize this.

Normal soap build-up will require water replacement regularly enough that mineral deposits normally are not a problem.

Occasionally, high iron or copper content in the water may produce green or brown stains on the spa. A stain and scale inhibitor may help to reduce these metals.

**NOTE:** Well water may contain high concentrations of minerals. The use of a low water volume, extra-fine pore water filter will help to remove many of the larger particles during the filling of the spa.

### FOAM INHIBITORS

Spa water requires changing due to the buildup of soap in the water. Typically, soap will cause the spa water to foam when the jets are used. Soap is introduced into the spa water from two sources: users' bodies, which retain a soap residue after showering, and swimming apparel, which retains soap after washing.

Foam inhibitors can suppress foam, but cannot remove soap from the water. Soap is very difficult to remove from the water because soap is not oxidized by any chemical added to the spa. Only ozone can oxidize soap.

Eventually the soap build-up in the water will be concentrated, resulting in an unclean feeling on the bather's skin, which is impossible to remedy. When this occurs, it's time to drain and refill the spa. Depending on the soap input, the water should last about 4 months before needing to be drained.

### MONARCH SILVER ION PURIFIER (OPTIONAL)

### MONARCH OZONE SYSTEM

The **MONARCH** high output ozone system is the ozone purification system approved for installation in your **CALDERA** Spa. The **MONARCH** ozone system utilizes Corona Discharge (CD) technology to produce a higher concentration of ozone than is produced by competing ultraviolet light (UV) ozone systems.

The under-the-skirt mounted **MONARCH** high output ozone system unit offers less-visible installation and is less susceptible to the effects of freezing temperatures. To access it for inspection, remove the equipment compartment door to check the unit operation (this is usually done prior to disconnecting the power to the spa before draining). Simply listen for the buzz of the transformer to verify operation of the **MONARCH** high output ozone system.

The **MONARCH** high output ozone system greatly enhances the quality of the spa water when used to supplement the spa owner's regular water maintenance program. Contrary to some information circulated throughout the pool and spa industry regarding ozone systems, ozone **CAN'T** be used as a single-source sanitizer, water clarifier, anti-foamer, and mineral chelating agent. Watkins Manufacturing Corporation recommends that a chemical maintenance program based on recognized and documented industry standards still be followed when using an ozone purification system to assure water sanitation and the highest quality purified water.

**NOTE:** It is not recommended to use granulated bromine with ozone.

### CLEANING THE OZONE INJECTOR



On occasion, a mineral build up may clog the ozone injector, causing a lack of flow or low flow, of ozone bubbles. To prevent this, follow these instructions to clean the injector:

1. Disconnect power to the spa.
2. Access the equipment compartment.
3. Place 0.5 liter of white vinegar into a container such as a cup or bucket. Place the container on the equipment compartment floor.

**NOTE:** White vinegar will not damage any of the spa components.

# WATER QUALITY AND MAINTENANCE

- Carefully loosen the long clear tubing to the bottom of the ozonator. **A liquid substance may be found inside the tubing. If a liquid substance is present, BE CERTAIN NOT TO COME INTO CONTACT WITH THE LIQUID (SEE WARNING ON THE NEXT PAGE).**
- Place the end of the tubing into the vinegar, making certain that the end of the tubing sits at the bottom of the container.

|   |  |   |
|---|--|---|
|  <p><b>WARNING</b></p> | <p><b><i>NITRIC ACID ACCUMULATES IN THE AIR LINES OF THE OZONATOR AND INJECTOR. NITRIC ACID WILL CAUSE SEVERE CHEMICAL BURNS IF DIRECT SKIN CONTACT IS MADE, SO ALWAYS WEAR PROTECTIVE GLOVES, GLASSES AND CLOTHING WHEN WORKING ON THE OZONATOR OR INJECTOR LINES. TO PREVENT INHALATION OR INGESTION OF THE NITRIC ACID, DO NOT BLOW OR INHALE WITH YOUR MOUTH TO ANY OF THE ADAPTERS, FITTINGS OR TUBING OF THE OZONATOR OR INJECTOR AIR LINES.</i></b></p> |  <p><b>WARNING</b></p> |
|---|--|---|

- Reconnect power to the spa.
- Run the spa until all 0.5 liter of the vinegar is gone. This should allow an ample flow of vinegar to be run through the injector and clear the blockage.
- Disconnect power to the spa.
- Remove the empty cup or bucket.
- Reinstall the tubing to the bottom of the ozonator.
- Close the equipment compartment door.
- Reconnect power to the spa.

The **MONARCH** ozone system is practically maintenance-free because it is located within the spa's equipment compartment. If bubbles are appearing at the spa's heater return, but the water is not as clear as usual, then the operation of the ozone generator should be checked. Carefully open the equipment compartment door (remember to use care, as power is still connected to the spa) and verify that the CD tube and its transformer are energized (a slight buzz will be emitted from the ozone generator housing). If a slight buzz or hum is not audible, verify that the generator is completely plugged into the spa's control box.

**WARNING:** Contact your **CALDERA** dealer if your spa requires troubleshooting beyond the scope of this manual. **MONARCH** ozone systems should only be serviced by a qualified technician.

**WARRANTY NOTE:** Cleaning of the ozone injector is not covered under the warranty. Refer to the Ozone section of this manual for ozone injector cleaning instructions.

## DOS AND DON'TS

- DON'T use swimming pool (muriatic) acid to lower pH.
- DON'T splash pH increaser additives on the siding.
- DON'T use Compressed Sanitizers.
- The use of bromine sticks or tablets in floaters, which may become entrapped in a lounge or cooling seat (or sink to the spa floor), have been shown to cause discoloration of or surface distress to a spa's shell.
- DON'T use a floater type sanitization system as a low or no maintenance solution to your spa maintenance program.

The spa shell can easily withstand the effects of a properly administered sanitizer. Floating dispensers can become trapped in one area and cause an over-sanitization (or chemical burn) of that particular area.

If the dispenser setting is too high, the high concentration can discolor the spa shell and damage the underside of the cover.

Automatic floating dispensers have a tendency to either over-brominate or under-brominate as the rate of erosion varies greatly. Damage to the spa and cover can occur very quickly.

**IMPORTANT:** Watkins Manufacturing Corporation does not recommend the use of any floating chemical dispenser. Damage to the spa shell or components caused by a floating chemical dispenser is specifically not covered under the terms of the limited warranty.

- DO add all chemicals slowly into or in front of the filter compartment with the jet pump operating for ten minutes.
- DO use special care if using baking soda to clean either the interior or exterior plastic surfaces. DON'T use a sanitizer which is not designed for spas.
- DON'T use household bleach (liquid sodium hypochlorite).
- DON'T broadcast or sprinkle the chemicals onto the water surface. This method may cause chemically-induced spa surface blistering (chemical abuse).
- DON'T use only a granular form of bromine sanitizer with ozone.

# WATER QUALITY AND MAINTENANCE

## COMMON WATER CHEMISTRY QUESTIONS

**Question:** Why is the use a floater not recommended to sanitize my spa water?

**Answer:** Watkins Manufacturing Corporation does not recommend the use of a floater for three reasons:

1. The floater is unable to control the rate at which the sanitizer is dissolved into the water. When a floater is first placed in a spa, the sanitizer level can be extremely high. High sanitizer levels can chemically burn or discolor the spa's shell or the underside of the cover. Then, after a period of time, the sanitizer level dispensed by the floater will fall to near zero. A low sanitizer level will allow viruses, bacteria or algae to grow.
2. Floaters tend to stay in one area of the spa most of the time (usually over the cool down seat), causing this area to be exposed to extreme sanitizer levels.
3. The floater may allow pieces of the highly concentrated sanitizer to fall out and settle on the floor or seat of the spa shell. These pieces of sanitizer will chemically burn (blister) the spa shell. Although your spa shell is specifically designed to resist the effects of spa chemicals, no spa surface can withstand this type of highly concentrated chemical. Remember, chemical abuse is specifically not covered under the terms of the warranty.

**Question:** When I open my spa, I smell chlorine. How do I get rid of this smell?

**Answer:** There are two types of chlorine in your spa. The first is the Free Available Chlorine, which is the chlorine available to sanitize your spa. This free Available Chlorine does not have an odor. The second is Chloramine, which is residue from chlorine already expended. Chloramines have a strong chlorine odor. The smell from Chloramines can be eliminated by "shocking" the water. If you smell chlorine in the water, your spa is reminding you to add a shock treatment.

**Question:** Why can't I fill my spa with soft water?

**Answer:** Soft water is essentially the same as regular water except that most or all of the calcium has been replaced by sodium. Soft water may be corrosive to the heater and other components. Replacement of spa components damaged by soft water is extremely expensive.

**Question:** I am trying to reduce the number of chemicals to which my family is exposed. Do I really need to use so many chemicals and in such large amounts?

**Answer:** While over-exposure to any chemical can be unhealthy, many low levels of chemicals are effective and beneficial. In the case of spa water, the chemicals recommended in the **CALDERA** Spa Water Maintenance program are needed to protect the user from water-borne pathogens (disease-causing microbes) and to prevent corrosion of spa components.

**Question:** Why isn't water chemistry damage covered by the warranty?

**Answer:** The chemical levels and water quality of the water in the spa are under your direct control. With proper basic care, the spa will provide many years of hot water relaxation. If you are unsure about any chemical or its usage in the spa, contact your Authorized **CALDERA** Dealer or Watkins Manufacturing Corporation.

# WATER QUALITY AND MAINTENANCE

## SPA WATER MAINTENANCE TROUBLESHOOTING GUIDE

| <b>PROBLEM</b>                                | <b>PROBABLE CAUSES</b>   | <b>SOLUTIONS</b>  |
|---|--|---|
| <b>Cloudy Water</b>                           | <ul style="list-style-type: none"> <li>• Dirty filters</li> <li>• Excessive oils / organic matter</li> <li>• Improper sanitization</li> <li>• Suspended particles / organic matter</li> <li>• Overused or old water</li> </ul> | <ul style="list-style-type: none"> <li>• Clean filters</li> <li>• Shock spa with sanitizer</li> <li>• Add sanitizer</li> <li>• Adjust pH and/or alkalinity to recommended range</li> <li>• Run jet pump(s) and clean filters</li> <li>• Drain and refill the spa</li> </ul> |
| <b>Water Odor</b>                             | <ul style="list-style-type: none"> <li>• Excessive organic in water</li> <li>• Improper sanitization</li> <li>• Low pH</li> </ul>  | <ul style="list-style-type: none"> <li>• Shock spa with sanitizer</li> <li>• Add sanitizer</li> <li>• Adjust pH to recommended range</li> </ul>   |
| <b>Chlorine Odor</b>                          | <ul style="list-style-type: none"> <li>• Chloramine level too high</li> <li>• Low pH</li> </ul>  | <ul style="list-style-type: none"> <li>• Shock spa with sanitizer</li> <li>• Adjust pH to recommended range</li> </ul>  |
| <b>Musty Odor</b>                             | <ul style="list-style-type: none"> <li>• Bacteria or algae growth</li> </ul>   | <ul style="list-style-type: none"> <li>• Shock spa with sanitizer – if problem is visible or persistent, drain, clean and refill the spa</li> </ul>   |
| <b>Organic buildup / scum ring around spa</b> | <ul style="list-style-type: none"> <li>• Buildup of oils and dirt</li> </ul>   | <ul style="list-style-type: none"> <li>• Wipe off scum with clean rag – if severe, drain the spa, use a spa surface and tile cleaner to remove the scum and refill the spa</li> </ul>   |
| <b>Algae Growth</b>                           | <ul style="list-style-type: none"> <li>• High pH</li> <li>• Low sanitizer level</li> </ul>   | <ul style="list-style-type: none"> <li>• Shock spa with sanitizer and adjust pH</li> <li>• Shock spa with sanitizer and maintain sanitizer level</li> </ul>   |
| <b>Eye Irritation</b>                         | <ul style="list-style-type: none"> <li>• Low pH</li> <li>• Low sanitizer level</li> </ul>  | <ul style="list-style-type: none"> <li>• Adjust pH</li> <li>• Shock spa with sanitizer and maintain sanitizer level</li> </ul>  |
| <b>Skin Irritation / Rash</b>                 | <ul style="list-style-type: none"> <li>• Unsanitary water</li> <li>• Free chlorine level above 5 ppm</li> </ul>  | <ul style="list-style-type: none"> <li>• Shock spa with sanitizer and maintain sanitizer level</li> <li>• Allow free chlorine level to drop below 5 ppm before spa use</li> </ul>   |
| <b>Stains</b>                                 | <ul style="list-style-type: none"> <li>• Total alkalinity and/or pH too low</li> <li>• High iron or copper in source water</li> </ul>  | <ul style="list-style-type: none"> <li>• Adjust total alkalinity and/or pH</li> <li>• Use a metal deposit inhibitor</li> </ul>  |
| <b>Scale</b>                                  | <ul style="list-style-type: none"> <li>• High calcium content in water – total alkalinity and pH too high</li> </ul>   | <ul style="list-style-type: none"> <li>• Adjust total alkalinity and pH – if scale requires removal, drain the spa, scrub off the scale, refill the spa and balance the water</li> </ul>  |



# SERVICE

## MISCELLANEOUS SERVICE INFORMATION

The control and high limit thermostats are equipped with electronic sensors that are connected to the spa's plumbing. Never cut, or kink the wires that connect the sensors to the thermostats within the control box.

The jet pump is equipped with a thermal overload cutoff switch that is designed to protect the pump from overheating. If the pump shuts itself off in an older spa, it could indicate failure of the pump motor bearings. If the pump shuts itself off in a new spa, it is usually the result of one or a combination of the following factors:

- **Thermal Overload:** Although mass-produced, not all thermal overload cutoffs are exactly the same. Some are more sensitive than others and will shut the pump off at lower temperatures.
- **High Temperature:** All **CALDERA** spa models are equipped with a jet pump that generates heat inside the equipment compartment from the pump motor. Your spa has a vent to the outside of the equipment compartment preventing the overheating of the pump motor. If the vent is blocked by masonry, grass, or debris, overheating of the jet pump may occur. Once the pump motor has cooled sufficiently and any blockage has been removed from the vent opening, the jet pump can be restarted.
- **Friction:** Sometimes the moving parts of a new pump are tight enough to cause heat buildup due to friction. After a normal break-in period, the pump will run cooler.
- **Improper Wiring:** If the spa is connected with an extension cord, and/or the house wiring is undersized, the pump may starve for voltage and therefore may draw more amperage and generate excessive heat.

If the pump is shutting down due to excessive heat, make sure the equipment compartment has adequate ventilation. The air gap at the bottom must not be blocked. Should your jet pump continue to shut off after short periods of use, contact a qualified service technician.

## ACTS INVALIDATING WARRANTY

The limited warranty is void if the **CALDERA** spa has been improperly installed, subjected to alteration, misuse, or abuse, or if any repairs on the spa are attempted by anyone other than an authorized representative of Watkins Manufacturing Corporation. Alteration shall include any component or plumbing change, electrical conversion, or the addition of any non-approved sanitation or water purification device or heating system which contributes to component or unit failure or unsafe operating system. Misuse and abuse shall include any operation of the spa other than in accordance with Watkins Manufacturing Corporation printed instructions, or use of the spa in an application for which it is not designed; specifically: use of the spa in a non-residential application; damage caused by operation\* of the spa at water temperatures outside the range of 1.5°C (35°F) and 49°C (120°F); damage caused by a dirty, clogged or calcified filter cartridge; damage to the spa surface caused by the use of tri-chloro chlorine, BCDMH, misuse of chemical tablets in a floater, acid, or any other spa chemicals or spa surface cleaners which are not recommended by Watkins Manufacturing Corporation; damage caused by allowing undissolved spa sanitizing chemicals to lie on the spa surface (no spa surface material can withstand this kind of abuse); damage to components or spa surface caused by improper water chemistry maintenance; and damage to the spa surface caused by leaving the spa uncovered while empty of water and in direct exposure to sunlight (this may cause solar heating distress in warm weather regions). These are considered abuses and may invalidate this warranty.

\*Operation of the spa does not mean "use" of the spa! Watkins Manufacturing Corporation does not recommend using the spa if the water temperature is above or below the spa's control panel temperature range.

## DISCLAIMERS

Watkins Manufacturing Corporation shall not be liable for loss of use of the **CALDERA** spa, or other incidental, consequential, special, indirect, or punitive costs, expenses or damages, which may include but are not limited to the removal of a permanent deck or other custom fixture, or the necessity for crane removal. Any implied warranty shall have a duration equal to the duration of the applicable limited warranty stated above. Some states do not allow limitations on how long an implied warranty lasts. Under no circumstances shall Watkins Manufacturing Corporation or any of its representatives be held liable for injury to any person or damage to any property, however arising.

Some countries do not allow the exclusion or limitation of incidental or consequential damages, so the above limitations may not apply to you.

## WATKINS CUSTOMER SERVICE

If you have any questions about any aspect of your **CALDERA** spa set-up, operation, or maintenance that have not been answered by this manual, consult your **CALDERA** dealer.

## SPA TROUBLESHOOTING FOR UTOPIA AND PARADISE SERIES

If your spa doesn't seem to be working the way you believe it should, please review the "start-up" and "operation" instructions in this manual. If this doesn't help you correct the problem, follow the appropriate instructions below. If the problem still is not resolved, call your **CALDERA** dealer.

### GENERAL OPERATION TROUBLESHOOTING GUIDE

| <b>PROBLEM</b>  | <b>PROBABLE CAUSES</b>   | <b>SOLUTIONS</b>   |
|---|--|--|
| Entire spa is inoperative   | <ul style="list-style-type: none"> <li>• Power failure</li> <li>• GFCI tripped</li> <li>• Heater high limited thermostat tripped</li> <li>• Spa Lock activated</li> </ul>  | <ul style="list-style-type: none"> <li>• Check power source</li> <li>• Reset GFCI; call for service if it will not reset.</li> <li>• Disconnect power for at least thirty seconds to reset heater high limit. If it will not reset, check for clogged filters. If tripping continues, call for service.</li> <li>• Deactivate spa lock</li> </ul>  |
| Jets weak or surging  | <ul style="list-style-type: none"> <li>• Spa water level too low</li> <li>• Filter clogged</li> <li>• Air valves are closed</li> </ul>   | <ul style="list-style-type: none"> <li>• Add water</li> <li>• Clean filter</li> <li>• Open air valves</li> </ul>   |
| All lights inoperative  | <ul style="list-style-type: none"> <li>• Spa lock activated</li> <li>• Light wiring to control box faulty or interface is faulty</li> </ul>  | <ul style="list-style-type: none"> <li>• Deactivate spa lock</li> <li>• Call for service</li> </ul>  |
| Single light inoperative  | <ul style="list-style-type: none"> <li>• Light wiring faulty</li> <li>• Main light assembly is faulty</li> <li>• Light wiring not attached to fiber optic harness</li> </ul>   | <ul style="list-style-type: none"> <li>• Remove panel and reattach the LED light to the fiber optic harness. If the light is still inoperative, call for service.</li> </ul>   |
| Both Power and Ready Indicators Blinking  | <ul style="list-style-type: none"> <li>• Dirty Filter</li> <li>• Low water level</li> <li>• Pressure switch problem</li> </ul>   | <ul style="list-style-type: none"> <li>• Clean filter</li> <li>• See Start Up Section in Owner's Manual</li> <li>• Disconnect power for at least thirty seconds. If flashing continues after power up, call for service</li> </ul>   |
| Power Indicator Blinking with four lines in display area  | <ul style="list-style-type: none"> <li>• Heater high limit thermostat tripped</li> </ul>   | <ul style="list-style-type: none"> <li>• Disconnect power for at least thirty seconds to reset heater high limit. If it will not reset, check for clogged filter. If tripping continues, call for service</li> </ul>   |
| Ready Indicator Blinking  | <ul style="list-style-type: none"> <li>• Temperature sensor problem</li> </ul>   | <ul style="list-style-type: none"> <li>• Disconnect power for at least thirty seconds. If blinking continues after power up, call for service</li> </ul>   |
| Spa not heating properly  | <ul style="list-style-type: none"> <li>• Temperature set too low</li> <li>• Spa cover improperly positioned</li> <li>• Dirty Filter</li> <li>• Summer Timer On</li> </ul>  | <ul style="list-style-type: none"> <li>• Set control panel to a higher temperature.</li> <li>• Align spa cover</li> <li>• Clean filter</li> <li>• Turn summer timer mode to off position</li> </ul>  |
| Pump motor will not function  | <ul style="list-style-type: none"> <li>• Motor overload condition</li> <li>• Control switch failure if jet symbol does not come on</li> </ul>  | <ul style="list-style-type: none"> <li>• Let cool for one hour. Motor overload will reset automatically. If problem persists, contact your <b>CALDERA</b> dealer</li> <li>• Disconnect spa and contact your <b>CALDERA</b> dealer</li> </ul>   |
| Noisy pump or motor   | <ul style="list-style-type: none"> <li>• Low water level</li> </ul>  | <ul style="list-style-type: none"> <li>• Add water to normal level (2.5 cm or 1 inch above highest jet)</li> </ul>   |
| Pump motor runs, but low or no water/jet pressure   | <ul style="list-style-type: none"> <li>• Air control valve closed or blocked</li> <li>• Low water level</li> <li>• Dirty filter cartridge</li> <li>• Jet blocked</li> <li>• Clogged suction or skimmer basket</li> </ul> | <ul style="list-style-type: none"> <li>• Open or clean air valve</li> <li>• Add water to normal level (2.5 cm or 1 inch above highest jet)</li> <li>• Clean filter cartridge</li> <li>• Remove jet face eyeball and clean orifice</li> <li>• Clean suction cover or skimmer basket</li> </ul>  |
| Diverter valves are difficult to turn   | <ul style="list-style-type: none"> <li>• Sand or grit inside valves</li> </ul>   | <ul style="list-style-type: none"> <li>• Clean and lubricate valve per diverter valve maintenance instructions</li> </ul>  |
| After filling or refilling the spa: a jet pump is operating, but water is not flowing from any of its jets. | <ul style="list-style-type: none"> <li>• Pump is not properly primed.</li> </ul>   | <ul style="list-style-type: none"> <li>• Turn off power to the spa at the breaker and remove the equipment compartment door (see the "Draining Your Spa" section for illustration).</li> <li>• Loosen the union on the top of the pump(s) (see the "Winterizing Your Spa" section for illustration) to allow the air to escape, and then hand-tighten the union(s).</li> <li>• Turn power back on, activate the pump, and check to make sure the union is tight enough to keep it from leaking. Replace the equipment doors.</li> </ul> <p>OR: Remove and reinstall the <b>FROG</b> cap.</p> |



# SPA SPECIFICATIONS

This manual contains installation, operating, maintenance, and service information for the following CALDERA spa models:

|                           | Footprint dimensions          | Height         | Effective filter area | Heater (Watts) | Water capacity | Dry weight | Filled weight* | Dead weight**         | Electrical Requirements                                    |
|---------------------------|-------------------------------|----------------|-----------------------|----------------|----------------|------------|----------------|-----------------------|--|
| <i>Cantabria</i><br>CABE  | 231 cm x 274 cm<br>(91"x108") | 97 cm<br>(38") | 10 m <sup>2</sup>     | 3000           | 2,082 L        | 663 kg     | 3,378 kg       | 635 kg/m <sup>2</sup> | 230 volt, 16 & 25 amp Single phase GFCI protected circuit  |
| <i>Geneva</i><br>GEBE     | 226 cm x 226cm<br>(89"x89")   | 97cm<br>(38")  | 10 m <sup>2</sup>     | 3000           | 1,798 L        | 490 kg     | 2,763 kg       | 659 kg/m <sup>2</sup> | 230 volt, 16 & 25 amp Single phase GFCI protected circuit  |
| <i>Niagara</i><br>NIBE    | 226 cm x 226cm<br>(89"x89")   | 97cm<br>(38")  | 10 m <sup>2</sup>     | 3000           | 1,893 L        | 492 kg     | 2,939 kg       | 684 kg/m <sup>2</sup> | 230 volt, 16 & 25 amp Single phase GFCI protected circuit  |
| <i>Tahitian</i><br>TABE   | 213 cm x 213cm<br>(84"x84")   | 91cm<br>(36")  | 10 m <sup>2</sup>     | 3000           | 1,363 L        | 455 kg     | 2,293 kg       | 610 kg/m <sup>2</sup> | 230 volt, 16 & 25 amp Single phase GFCI protected circuit  |
| <i>Makena</i><br>MAAE     | 226 cm x 226cm<br>(89"x89")   | 91cm<br>(36")  | 7 m <sup>2</sup>      | 3000           | 1,495 L        | 463 kg     | 2,433 kg       | 586 kg/m <sup>2</sup> | 230 volt, 16 & 25 amp Single phase GFCI protected circuit  |
| <i>Salina</i><br>SAAE     | 226 cm x 226cm<br>(89"x89")   | 91cm<br>(36")  | 7 m <sup>2</sup>      | 3000           | 1,438 L        | 456 kg     | 2,601 kg       | 610 kg/m <sup>2</sup> | 230 volt, 16 & 25 amp Single phase GFCI protected circuit  |
| <i>Martinique</i><br>MRAE | 226 cm x 193cm<br>(89"x76")   | 86cm<br>(34")  | 5 m <sup>2</sup>      | 3000           | 1,211 L        | 421 kg     | 2,028 kg       | 561 kg/m <sup>2</sup> | 230 volt, 16 & 25 amp Single phase GFCI protected circuit  |
| <i>Kauai</i><br>KAAE      | 213 cm x 165cm<br>(84"x65")   | 74cm<br>(29")  | 5 m <sup>2</sup>      | 3000           | 757 L          | 335 kg     | 1,405 kg       | 488 kg/m <sup>2</sup> | 230 volt, 16 or 25 amp Single phase GFCI protected circuit |

Watkins Manufacturing Corporation suggests a structural engineer or contractor be consulted before the spa is placed on an elevated deck.

\* The "Filled weight" and "Dead weight" of the spa includes the weight of the occupants (assuming an average occupant weight of 79.5 kg).

The GFCI may also be referred to as an ELCB (Earth Leakage Circuit Breaker) or as an RCD (Residual Current Device).



©2014 Watkins Manufacturing Corporation. Caldera Spas is a trademark of Watkins Manufacturing Corporation, registered in the U.S., Canada, CTM and other countries. FROG is a registered trademark of King Technologies. iPod is a trademark of Apple Inc.



**Watkins Manufacturing Corporation**  
Vista, California  
USA

calderaspas.com

